

OIL FILTERS - LINEA FAG
TECHNICAL BOOK





Oltre 70 anni di autentica produzione italiana.
Italian production for more than 70 years.

MADE IN ITALY



TANTE REALTÀ, UN'UNICA VISIONE.
SO MANY REALITIES, ONE VISION ONLY.

FAG

geca

**Tecno
control**

CPF
INDUSTRIALE

FILTRI GASOLIO con vaschetta alluminio bassa capacità
DIESEL FILTERS with aluminium bowl small capacity



Cod./Cod.	Descrizione/Description	Dim.	P.Max
OF008AL-SC	20103/AL Filtro Cartuccia inox 100µ 20103/AL Filter Stainless steel cartridge 100µ	1/4"	2bar
OF010AL-SC	20101/AL Filtro Cartuccia inox 100µ 20101/AL Filter Stainless steel cartridge 100µ	3/8"	2bar
OF010AL-SC-60	20101AL6 Filtro Cartuccia inox 60µ 20101AL6 Filter stainless steel cartridge 60µ	3/8"	2bar
OF008AL-SC-44	20103AL4 Filtro Cartuccia inox 44µ 20103AL4 Filter Stainless steel cartridge 44µ	1/4"	2bar
OF010AL-SC-44	20101AL4 Filtro Cartuccia inox 44µ 20101AL4 Filter Stainless steel cartridge 44µ	3/8"	2bar
OF008AL-SC-15	20103CAL Filtro Cartuccia carta 15µ 20103CAL Filter Paper cartridge 15µ	1/4"	2bar
OF010AL-SC-15	20101CAL Filtro Cartuccia carta 15µ 20101CAL Filter Paper cartridge 15µ	3/8"	2bar
OF008AL-E	20153/AL Filtro Cartuccia plastica 100µ 20153/AL Filter Plastic cartridge 100µ	1/4"	2bar
OF010AL-E	20151/AL Filtro Cartuccia plastica 100µ 20151/AL Filter Plastic cartridge 100µ	3/8"	2bar

Caratteristiche tecniche/Technical features	
Pmax - Inlet max	2bar
Filtri - Filters	100µ - 60µ - 44µ - 15µ
Attacchi Inlet-Outlet Connection	1/4" - 3/8" ISO 228
Temperatura di esercizio Working temperature	-20° C - +60° C
Utilizzo - Use	Gasolio - Diesel

Materiali/Materials:

Corpo - Body	Die - Cast Aluminium Gd - AlSi12Cu - EN AB 46100
Cartuccia Cartridge	Alluminio, carta, plastica Stainless steel mesh, paper, plastic

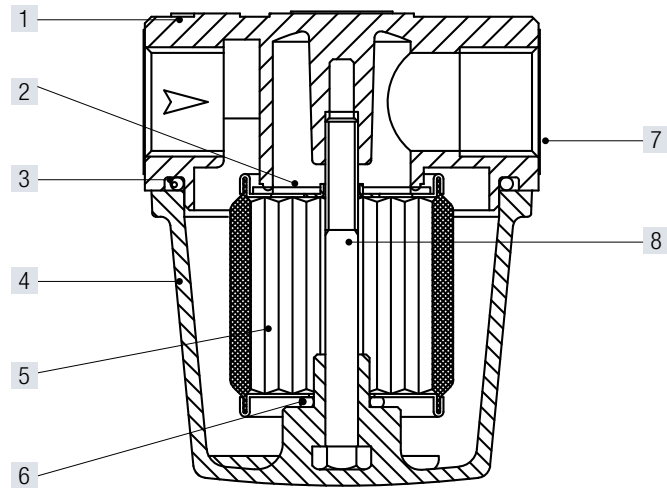
RICAMBI / SPARE PARTS

Cartucce filtranti / Filter cartridge

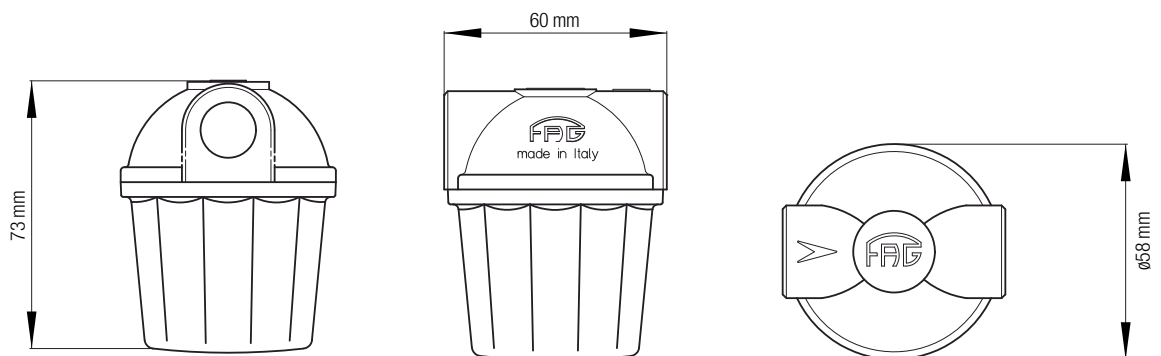
Cod./Cod.	Mod./Mod.	Descrizione/Description
OFC100-1	20101/C1	100µ - Inox grecata (Corrugated stainless steel) cm² 105
OFC060-1	20101/C6	60µ - Inox grecata (Corrugated stainless steel) cm² 105
OFC044-1	20101/C4	44µ - Inox grecata (Corrugated stainless steel) cm² 105
OFC015-1	20101CC5	15µ - Carta ondulata (Corrugated paper) cm² 235
OFC100-2	20151/C1	100µ - Plastica (Plastic) cm² 24

Kit guarnizioni / Gasket kit

Cod./Cod.	Mod./Mod.	Descrizione/Description
OFG-1	-	Kit guarnizioni per serie / Gasket kit for serie 20100
OFG-2	-	Kit guarnizioni per serie / Gasket kit for serie 20150



- | | |
|----------|-----------------------|
| 1 | Coperchio - Cover |
| 2 | Guarnizione - Gasket |
| 3 | O-Ring - O-Ring |
| 4 | Vaschetta - Bowl |
| 5 | Cartuccia - Cartridge |
| 6 | O-Ring - O-Ring |
| 7 | Etichetta - Label |
| 8 | Vite - Screw |



Dimensioni / Dimension	1/4"	3/8"
PESO / WEIGHT (g)	155	150

FILTRI GASOLIO con vaschetta plastica trasparente bassa capacità
DIESEL FILTERS with transparent plastic bowl small capacity



Cod./Cod.	Descrizione/Description	Dim.	P.Max
OF008PL-SC	20103/PL Filtro Cartuccia inox 100µ 20103/PL Filter Stainless steel cartridge 100µ	1/4"	1bar
OF010PL-SC	20101/PL Filtro Cartuccia inox 100µ 20101/PL Filter Stainless steel cartridge 100µ	3/8"	1bar
OF010PL-SC-60	20101PL6 Filtro cartuccia inox 60µ 20101AL6 Filter stainless steel cartridge 60µ	3/8"	1bar
OF008PL-SC-44	20103PL4 Filtro Cartuccia inox 44µ 20103PL4 Filter Stainless steel cartridge 44µ	1/4"	1bar
OF010PL-SC-44	20101PL4 Filtro Cartuccia inox 44µ 20101PL4 Filter Stainless steel cartridge 44µ	3/8"	1bar
OF008PL-SC-15	20103CPL Filtro Cartuccia carta 15µ 20103CPL Filter Paper cartridge 15µ	1/4"	1bar
OF010PL-SC-15	20101CPL Filtro Cartuccia carta 15µ 20101CPL Filter Paper cartridge 15µ	3/8"	1bar
OF008PL-E	20153/PL Filtro Cartuccia plastica 100µ 20153/PL Filter Plastic cartridge 100µ	1/4"	1bar
OF010PL-E	20151/PL Filtro Cartuccia plastica 100µ 20151/PL Filter Plastic cartridge 100µ	3/8"	1bar

Caratteristiche tecniche/Technical features	
Pmax - Inlet max	1bar
Filtri - Filters	100µ - 60µ - 44µ - 15µ
Attacchi Inlet-Outlet Connection	1/4" - 3/8" ISO 228
Temperatura di esercizio Working temperature	-20° C - +60° C
Utilizzo - Use	Gasolio - Diesel

Materiali/Materials:

Corpo - Body	Die - Cast Aluminium Gd - AlSi12Cu - EN AB 46100
Cartuccia Cartridge	Alluminio, carta, plastica Stainless steel mesh, paper, plastic

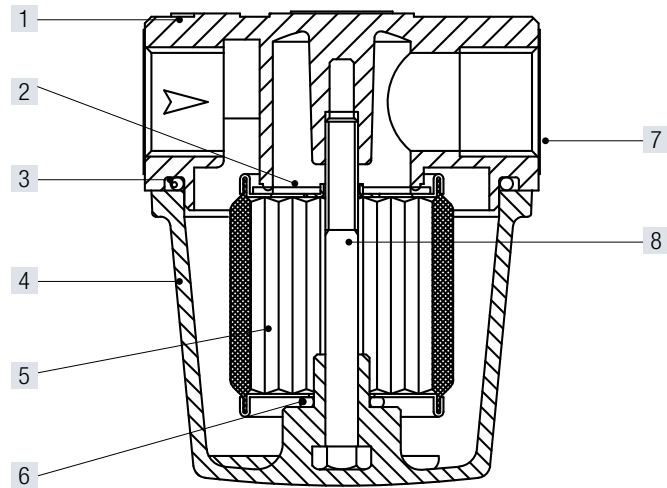
RICAMBI / SPARE PARTS

Cartucce filtranti / Filter cartridge

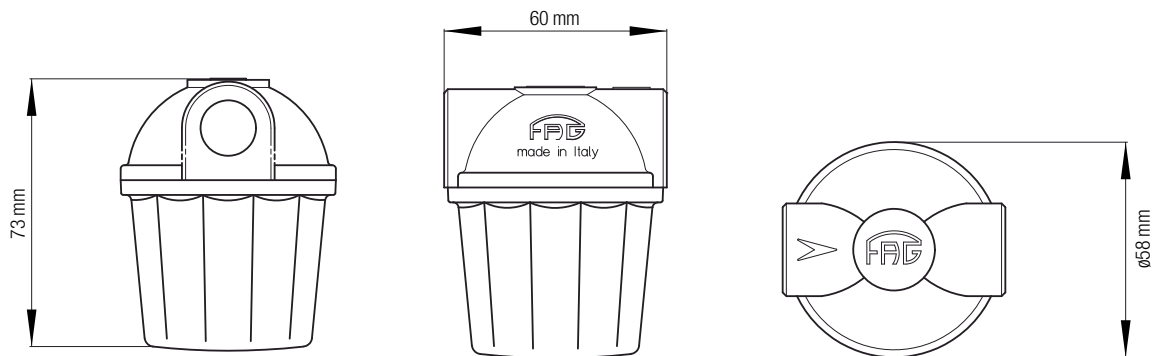
Cod./Cod.	Mod./Mod.	Descrizione/Description
OFC100-1	20101/C1	100µ - Inox grecata (Corrugated stainless steel) cm ² 105
OFC060-1	20101/C6	60µ - Inox grecata (Corrugated stainless steel) cm ² 105
OFC044-1	20101/C4	44µ - Inox grecata (Corrugated stainless steel) cm ² 105
OFC015-1	20101CC5	15µ - Carta ondulata (Corrugated paper) cm ² 235
OFC100-2	20151/C1	100µ - Plastica (Plastic) cm ² 24

Kit guarnizioni / Gasket kit

Cod./Cod.	Mod./Mod.	Descrizione/Description
OFG-1	-	Kit guarnizioni per serie / Gasket kit for serie 20100
OFG-2	-	Kit guarnizioni per serie / Gasket kit for serie 20150



- | | |
|---|-----------------------|
| 1 | Coperchio - Cover |
| 2 | Guarnizione - Gasket |
| 3 | O-Ring - O-Ring |
| 4 | Vaschetta - Bowl |
| 5 | Cartuccia - Cartridge |
| 6 | O-Ring - O-Ring |
| 7 | Etichetta - Label |
| 8 | Vite - Screw |



Dimensioni / Dimension	1/4"	3/8"
PESO / WEIGHT (g)	115	110

FILTRI GASOLIO con vaschetta plastica opaca bassa capacità
DIESEL FILTERS with opaque plastic bowl small capacity



Cod./Cod.	Descrizione/Description	Dim.	P.Max
OF008PE-SC	20103/PE Filtro Cartuccia inox 100µ 20103/PE Filter Stainless steel cartridge 100µ	1/4"	1bar
OF010PE-SC	20101/PE Filtro Cartuccia inox 100µ 20101/PE Filter Stainless steel cartridge 100µ	3/8"	1bar
OF008PE-SC-15	20103CPE Filtro Cartuccia carta 15µ 20103CPE Filter Paper cartridge 15µ	1/4"	1bar
OF010PE-SC-15	20101CPE Filtro Cartuccia carta 15µ 20101CPE Filter Paper cartridge 15µ	3/8"	1bar
OF008PE-E	20153/PE Filtro Cartuccia plastica 100µ 20153/PE Filter Plastic cartridge 100µ	1/4"	1bar
OF010PE-E	20151/PE Filtro Cartuccia plastica 100µ 20151/PE Filter Plastic cartridge 100µ	3/8"	1bar

Caratteristiche tecniche/Technical features	
Pmax - Inlet max	1bar
Filtri - Filters	100µ - 15µ
Attacchi Inlet-Outlet Connection	1/4" - 3/8" ISO 228
Temperatura di esercizio Working temperature	-20° C - +60° C
Utilizzo - Use	Gasolio - Diesel

Materiali/Materials:

Corpo - Body	Die - Cast Aluminium Gd - AISI12Cu - EN AB 46100
Cartuccia Cartridge	Alluminio, carta, plastica Stainless steel mesh, paper, plastic

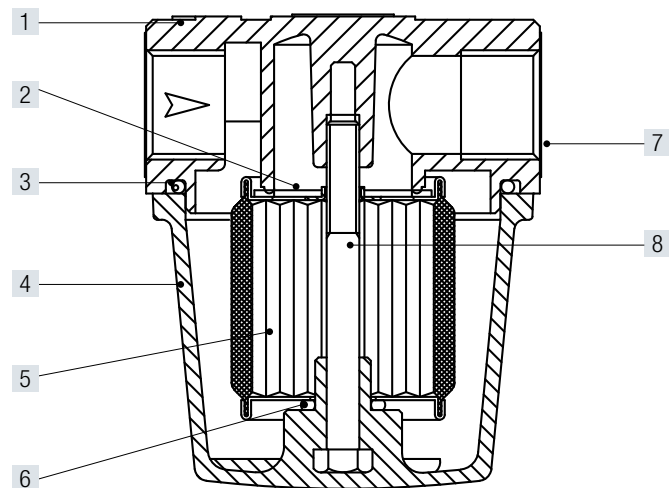
RICAMBI / SPARE PARTS

Cartucce filtranti / Filter cartridge

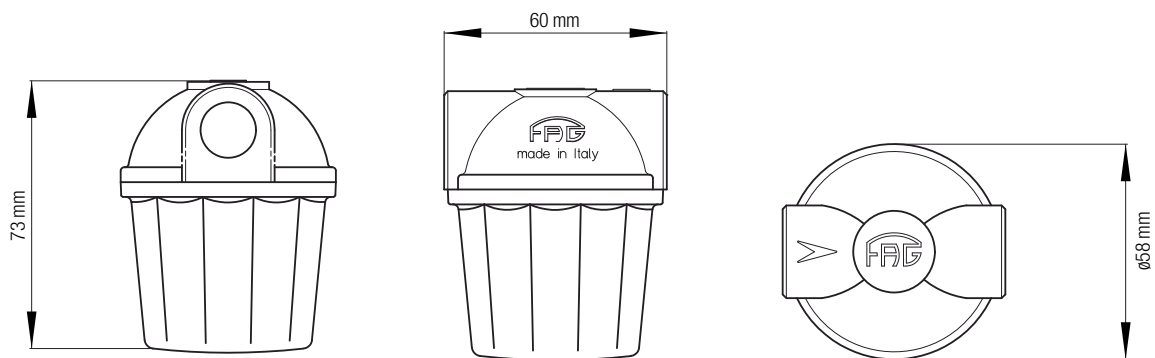
Cod./Cod.	Mod./Mod.	Descrizione/Description
OFC100-1	20101/C1	100µ - Inox grecata (Corrugated stainless steel) cm² 105
OFC044-1	20101/C4	44µ - Inox grecata (Corrugated stainless steel) cm² 105
OFC015-1	20101CC5	15µ - Carta ondulata (Corrugated paper) cm² 235
OFC100-2	20151/C1	15µ - Plastica (Plastic) cm² 24

Kit guarnizioni / Gasket kit

Cod./Cod.	Mod./Mod.	Descrizione/Description
OFG-1	-	Kit guarnizioni per serie / Gasket kit for serie 20100
OFG-2	-	Kit guarnizioni per serie / Gasket kit for serie 20150



- | | |
|---|-----------------------|
| 1 | Coperchio - Cover |
| 2 | Guarnizione - Gasket |
| 3 | O-Ring - O-Ring |
| 4 | Vaschetta - Bowl |
| 5 | Cartuccia - Cartridge |
| 6 | O-Ring - O-Ring |
| 7 | Etichetta - Label |
| 8 | Vite - Screw |



Dimensioni / Dimension	1/4"	3/8"
PESO / WEIGHT (g)	110	105

FILTRI GASOLIO con vaschetta alluminio
DIESEL FILTERS with aluminium bowl



Cod./Cod.	Descrizione/Description	Dim.	P.Max
OF008AL	20204/AL Filtro Cartuccia inox 100µ 20204/AL Filter Stainless steel cartridge 100µ	1/4"	2bar
OF010AL	20201/AL Filtro Cartuccia inox 100µ 20201/AL Filter Stainless steel cartridge 100µ	3/8"	2bar
OF015AL	20202/AL Filtro Cartuccia inox 100µ 20202/AL Filter Stainless steel cartridge 100µ	1/2"	2bar
OF010AL-44	20201AL4 Filtro Cartuccia inox 44µ 20201AL4 Filter Stainless steel cartridge 44µ	3/8"	2bar
OF015AL-44	20202AL4 Filtro Cartuccia inox 44µ 20202AL4 Filter Inox cartridge 44µ	1/2"	2bar
OF008AL-15	20204CAL Filtro Cartuccia carta 15µ 20204CAL Filter Paper cartridge 15µ	1/4"	2bar
OF010AL-15	20201CAL Filtro Cartuccia carta 15µ 20201CAL Filter Paper cartridge 15µ	3/8"	2bar
OF015AL-15	20202CAL Filtro Cartuccia carta 15µ 20202CAL Filter Paper cartridge 15µ	1/2"	2bar

Caratteristiche tecniche/Technical features	
Pmax - Inlet max	2bar
Filtri - Filters	100µ - 44µ - 15µ
Attacchi Inlet-Outlet Connection	1/4" - 3/8" - 1/2" ISO 228
Temperatura di esercizio Working temperature	-20° C - +60° C
Utilizzo - Use	Gasolio - Diesel

Materiali/Materials:

Corpo - Body	Die - Cast Aluminium Gd - AlSi12Cu - EN AB 46100
Cartuccia Cartridge	Alluminio o carta Stainless steel mesh or paper

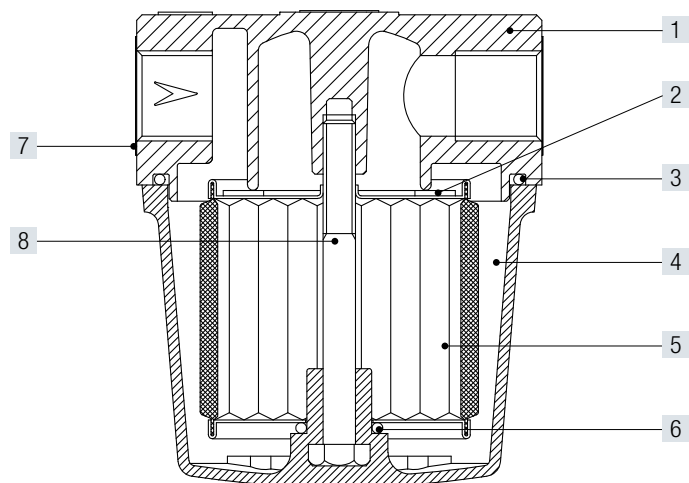
RICAMBI / SPARE PARTS

Cartucce filtranti / Filter cartridge

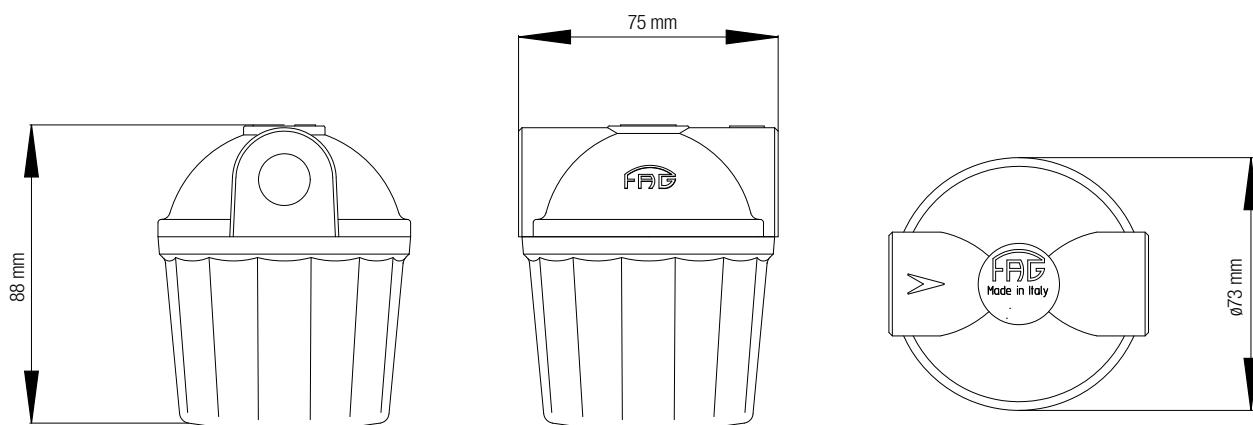
Cod./Cod.	Mod./Mod.	Descrizione/Description
OFC100-3	20201/C1	100µ - Inox grecata (Corrugated stainless steel) cm² 105
OFC044-3	20201/C4	44µ - Inox grecata (Corrugated stainless steel) cm² 105
OFC015-3	20101CC5	15µ - Carta ondulata (Corrugated paper) cm² 235

Kit guarnizioni / Gasket kit

Cod./Cod.	Mod./Mod.	Descrizione/Description
OFG-3	-	Kit guarnizioni per serie / Gasket kit for serie 20200



- | | |
|----------|-----------------------|
| 1 | Coperchio - Cover |
| 2 | Guarnizione - Gasket |
| 3 | O-Ring - O-Ring |
| 4 | Vaschetta - Bowl |
| 5 | Cartuccia - Cartridge |
| 6 | O-Ring - O-Ring |
| 7 | Etichetta - Label |
| 8 | Vite - Screw |



Dimensioni / Dimension	1/4"	3/8"	1/2"
PESO / WEIGHT (g)	260	250	240

FILTRI GASOLIO con vaschetta plastica trasparente
DIESEL FILTERS with transparent plastic bowl



Cod./Cod.	Descrizione/Description	Dim.	P.Max
OF008PL	20204/PL Filtro Cartuccia inox 100µ 20204/PL Filter Stainless steel cartridge 100µ	1/4"	1bar
OF010PL	20201/PL Filtro Cartuccia inox 100µ 20201/PL Filter Stainless steel cartridge 100µ	3/8"	1bar
OF010PL-R	20201/SL Filtro Cartuccia inox 100µ 20201/SL Filter Stainless steel cartridge 100µ	3/8"	1bar con racc. I/O with I/O fittings
OF015PL	20202/PL Filtro Cartuccia inox 100µ 20202/PL Filter Stainless steel cartridge 100µ	1/2"	1bar
OF010PL-44	20201PL4 Filtro Cartuccia inox 44µ 20201PL4 Filter Stainless steel cartridge 44µ	3/8"	1bar
OF015PL-44	20202PL4 Filtro Cartuccia inox 44µ 20202PL4 Filter Stainless steel cartridge 44µ	1/2"	1bar
OF008PL-15	20204CPL Filtro Cartuccia carta 15µ 20204CPL Filter Paper cartridge 15µ	1/4"	1bar
OF010PL-15	20201CPL Filtro Cartuccia carta 15µ 20201CPL Filter Paper cartridge 15µ	3/8"	1bar
OF015PL-15	20202CPL Filtro Cartuccia carta 15µ 20202CPL Filter Paper cartridge 15µ	1/2"	1bar

Caratteristiche tecniche/Technical features	
Pmax - Inlet max	1bar
Filtri - Filters	100µ - 44µ - 15µ
Attacchi Inlet-Outlet Connection	1/4" - 3/8" - 1/2" - ISO 228
Temperatura di esercizio Working temperature	-20° C - +60° C
Utilizzo - Use	Gasolio - Diesel

Materiali/Materials:

Corpo - Body	Die - Cast Aluminium Gd - AISI12Cu - EN AB 46100
Cartuccia Cartridge	Alluminio o carta Stainless steel mesh or paper

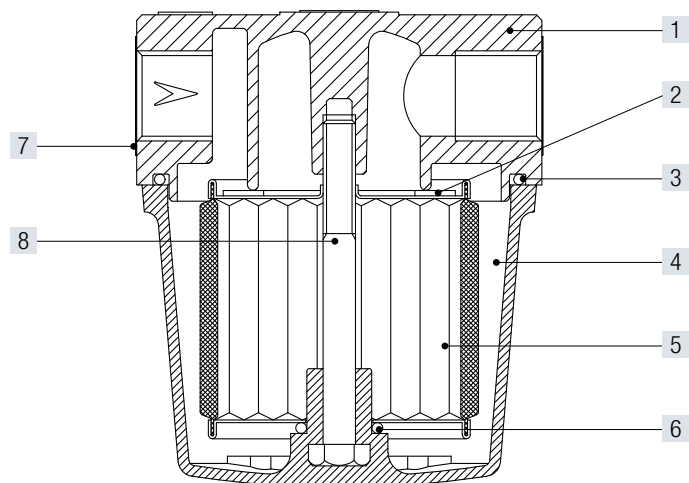
RICAMBI / SPARE PARTS

Cartucce filtranti / Filter cartridge

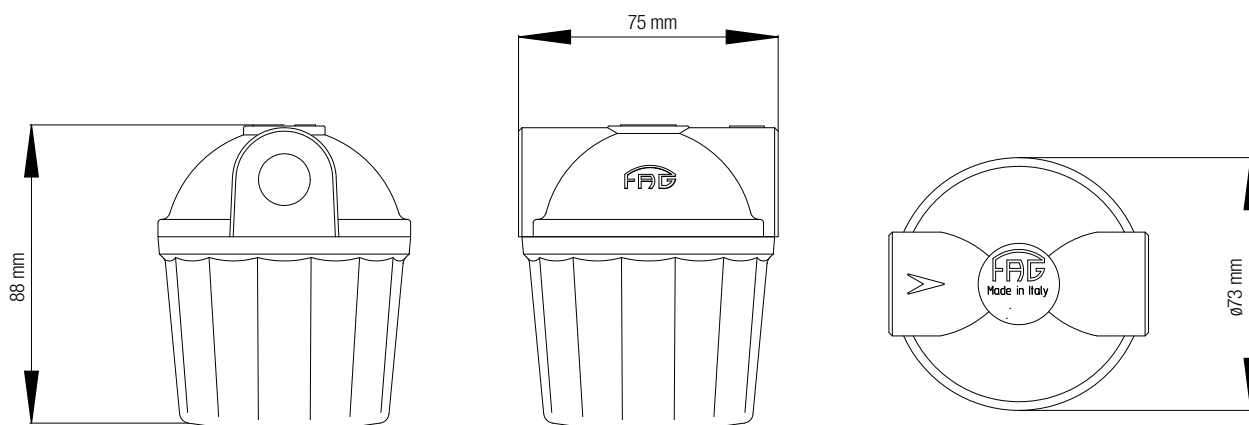
Cod./Cod.	Mod./Mod.	Descrizione/Description
OFC100-3	20201/C1	100µ - Inox grecata (Corrugated stainless steel) cm² 105
OFC044-3	20201/C4	44µ - Inox grecata (Corrugated stainless steel) cm² 105
OFC015-3	20201CC5	15µ - Carta ondulata (Corrugated paper) cm² 235

Kit guarnizioni / Gasket kit

Cod./Cod.	Mod./Mod.	Descrizione/Description
OFG-3	-	Kit guarnizioni per serie / Gasket kit for series 20200-20210-20230-20240-20250



- 1** Coperchio - Cover
- 2** Guarnizione - Gasket
- 3** O-Ring - O-Ring
- 4** Vaschetta - Bowl
- 5** Cartuccia - Cartridge
- 6** O-Ring - O-Ring
- 7** Etichetta - Label
- 8** Vite - Screw



Dimensioni / Dimension	1/4"	3/8"	1/2"
PESO / WEIGHT (g)	220	210	200

FILTRI GASOLIO con vaschetta plastica trasparente con valvola di spurgo
DIESEL FILTERS with transparent plastic bowl with water drain valve



Cod./Cod.	Descrizione/Description	Dim.	P.Max
OF008PL-BV	20214/PL Filtro Cartuccia inox 100µ 20214/PL Filter Stainless steel cartridge 100µ	1/4"	1bar
OF010PL-BV	20211/PL Filtro Cartuccia inox 100µ 20211/PL Filter Stainless steel cartridge 100µ	3/8"	1bar
OF015PL-BV	20212/PL Filtro Cartuccia inox 100µ 20212/PL Filter Stainless steel cartridge 100µ	1/2"	1bar
OF008PL-BV-44	20214PL4 Filtro Cartuccia inox 44µ 20214PL4 Filter Stainless steel cartridge 44µ	1/4"	1bar
OF010PL-BV-44	20211PL4 Filtro Cartuccia inox 44µ 20211PL4 Filter Stainless steel cartridge 44µ	3/8"	1bar
OF015PL-BV-44	20212PL4 Filtro Cartuccia inox 44µ 20212PL4 Filter Stainless steel cartridge 44µ	1/2"	1bar
OF008PL-BV-15	20214CPL Filtro Cartuccia carta 15µ 20214CPL Filter Paper cartridge 15µ	1/4"	1bar
OF010PL-BV-15	20211CPL Filtro Cartuccia carta 15µ 20211CPL Filter Paper cartridge 15µ	3/8"	1bar
OF015PL-BV-15	20212CPL Filtro Cartuccia carta 15µ 20212CPL Filter Paper cartridge 15µ	1/2"	1bar

Caratteristiche tecniche/Technical features	
Pmax - Inlet max	1bar
Filtri - Filters	100µ - 44µ - 15µ
Attacchi Inlet-Outlet Connection	1/4" - 3/8" - 1/2" - ISO 228
Temperatura di esercizio Working temperature	-20° C - +60° C
Utilizzo - Use	Gasolio - Diesel

Materiali/Materials:

Corpo - Body	Die - Cast Aluminium Gd - AISI12Cu - EN AB 46100
Cartuccia Cartridge	Alluminio o carta Stainless steel mesh or paper

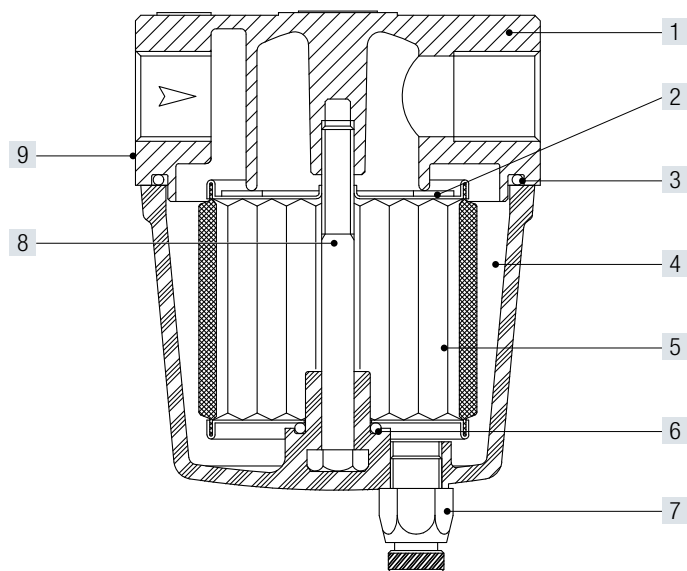
RICAMBI / SPARE PARTS

Cartucce filtranti / Filter cartridge

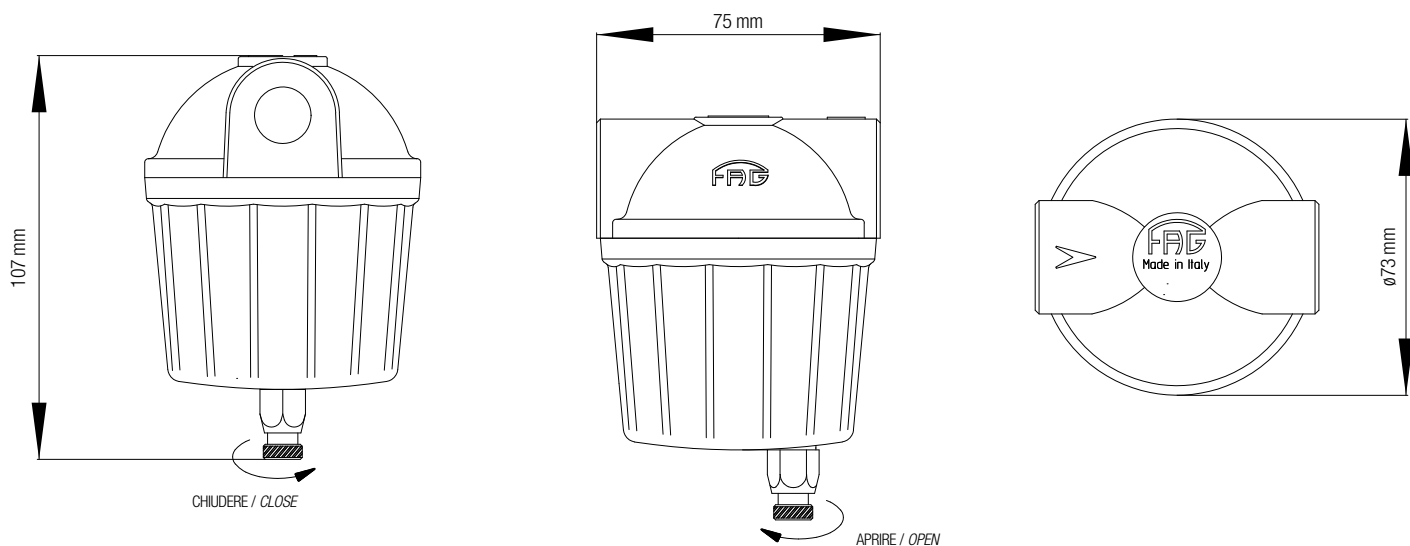
Cod./Cod.	Mod./Mod.	Descrizione/Description
OFC100-3	20201/C1	100µ - Inox grecata (Corrugated stainless steel) cm² 105
OFC044-3	20201/C4	44µ - Inox grecata (Corrugated stainless steel) cm² 105
OFC015-3	20201CC5	15µ - Carta ondulata (Corrugated paper) cm² 235

Kit guarnizioni / Gasket kit

Cod./Cod.	Mod./Mod.	Descrizione/Description
OFG-3	-	Kit guarnizioni per serie / Gasket kit for series 20200-20210-20230-20240-20250



- 1** Coperchio - Cover
- 2** Guarnizione - Gasket
- 3** O-Ring - O-Ring
- 4** Vaschetta - Bowl
- 5** Cartuccia - Cartridge
- 6** O-Ring - O-Ring
- 7** Valvola di spurgo - Water drain valve
- 8** Vite - Screw
- 9** Etichetta - Label



Dimensioni / Dimension	1/4"	3/8"	1/2"
PESO / WEIGHT (g)	240	230	220

FILTRI GASOLIO con vaschetta in alluminio e rubinetto
DIESEL FILTERS with aluminium bowl and valve



Cod./Cod.	Descrizione/Description	Dim.	P.Max
OF010AL-V	20231/AL Filtro Cartuccia inox 100µ 20231/AL Filter Stainless steel cartridge 100µ	3/8"	2bar
OF015AL-V	20232/AL Filtro Cartuccia inox 100µ 20232/AL Filter Stainless steel cartridge 100µ	1/2"	2bar
OF010AL-V-44	20231AL4 Filtro Cartuccia inox 44µ 20231AL4 Filter Stainless steel cartridge 44µ	3/8"	2bar
OFV010AL-V-44	20231VA4 Filtro Cartuccia inox 44µ 20231VA4 Filter Stainless steel cartridge 44µ	3/8"	2bar (Viton)
OF015AL-V-44	20232AL4 Filtro Cartuccia inox 44µ 20232AL4 Filter Stainless steel cartridge 44µ	1/2"	2bar
OF010AL-V-15	20231CAL Filtro Cartuccia carta 15µ 20231CAL Filter Paper cartridge 15µ	3/8"	2bar
OF015AL-V-15	20232CAL Filtro Cartuccia carta 15µ 20232CAL Filter Paper cartridge 15µ	1/2"	2bar

Caratteristiche tecniche/Technical features	
Pmax - Inlet max	2bar
Filtri - Filters	100µ - 44µ - 15µ
Attacchi Inlet-Outlet Connection	3/8" - 1/2" ISO 228
Temperatura di esercizio Working temperature	-20° C - +60° C
Utilizzo - Use	Gasolio - Diesel

Materiali/Materials:

Corpo - Body	Die - Cast Aluminium Gd - AISI12Cu - EN AB 46100
Cartuccia Cartridge	Alluminio o carta Stainless steel mesh or paper

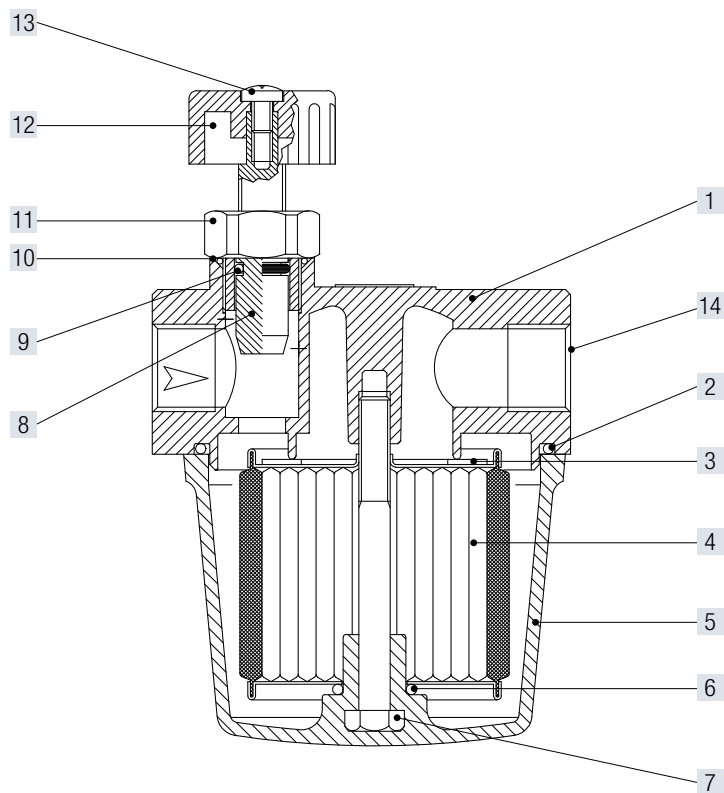
RICAMBI / SPARE PARTS

Cartucce filtranti / Filter cartridge

Cod./Cod.	Mod./Mod.	Descrizione/Description
OFC100-3	20201/C1	100µ - Inox grecata (Corrugated stainless steel) cm² 105
OFC044-3	20201/C4	44µ - Inox grecata (Corrugated stainless steel) cm² 105
OFC015-3	20201CC5	15µ - Carta ondulata (Corrugated paper) cm² 235

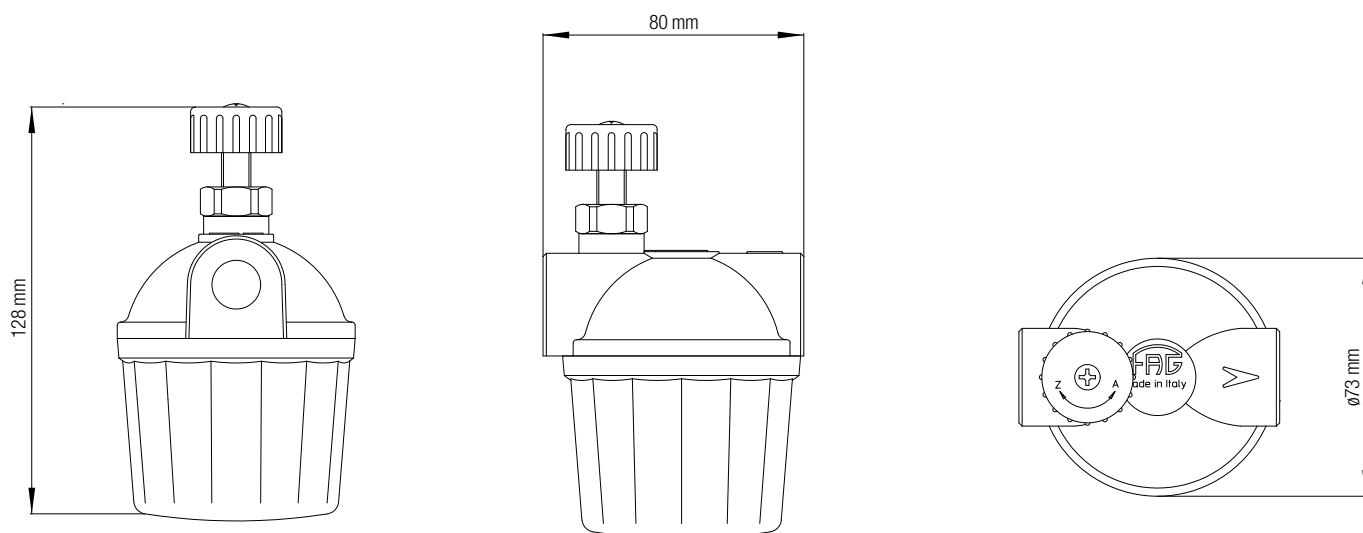
Kit guarnizioni / Gasket kit

Cod./Cod.	Mod./Mod.	Descrizione/Description
OFG-3	-	Kit guarnizioni per serie / Gasket kit for series 20200-20210-20230-20240-20250



1	Coperchio - Cover
2	O-Ring - O-Ring
3	Guarnizione - Gasket
4	Cartuccia - Cartridge
5	Vaschetta - Bowl
6	O-Ring - O-Ring
7	Vite - Screw

8	Asta Rubinetto - Shaft
9	O-Ring - O-Ring
10	O-Ring - O-Ring
11	Raccordo - Junction
12	Pomolo - Pull
13	Vite - Screw
14	Etichetta - Label



Dimensioni / Dimension	3/8"	1/2"
PESO / WEIGHT (g)	315	305

FILTRI GASOLIO con vaschetta in plastica e rubinetto
DIESEL FILTERS with plastic bowl and valve



Cod./Cod.	Descrizione/Description	Dim.	P.Max
OF010PL-V	20231/PL Filtro Cartuccia inox 100µ 20231/PL Filter Stainless steel cartridge 100µ	3/8"	1bar
OF015PL-V	20232/PL Filtro Cartuccia inox 100µ 20232/PL Filter Stainless steel cartridge 100µ	3/8"	1bar
OF010PL-V-44	20231PL4 Filtro Cartuccia inox 44µ 20231PL4 Filter Stainless steel cartridge 44µ	3/8"	1bar
OF015PL-V-44	20232PL4 Filtro Cartuccia inox 44µ 20232PL4 Filter Stainless steel cartridge 44µ	1/2"	1bar
OF010PL-V-15	20231CPL Filtro Cartuccia carta 15µ 20231CPL Filter Paper cartridge 15µ	3/8"	1bar
OF015PL-V-15	20232CPL Filtro Cartuccia carta 15µ 20232CPL Filter Paper cartridge 15µ	1/2"	1bar

Caratteristiche tecniche/Technical features	
Pmax - Inlet max	1bar
Filtri - Filters	100µ - 44µ - 15µ
Attacchi Inlet-Outlet Connection	3/8" - 1/2" ISO 228
Temperatura di esercizio Working temperature	-20° C - +60° C
Utilizzo - Use	Gasolio - Diesel

Materiali/Materials:

Corpo - Body	Die - Cast Aluminium Gd - AISI12Cu - EN AB 46100
Cartuccia Cartridge	Alluminio o carta Stainless steel mesh or paper

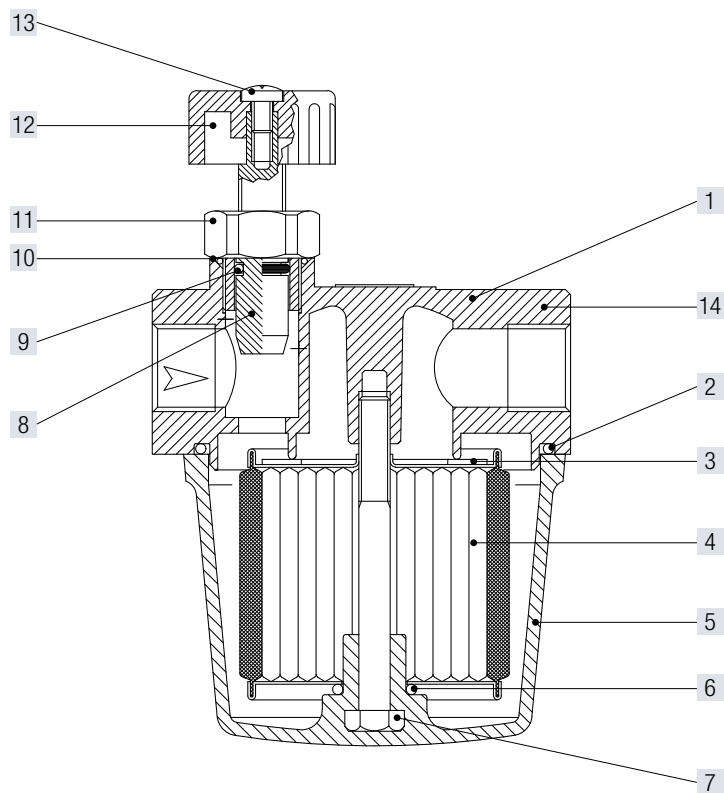
RICAMBI / SPARE PARTS

Cartucce filtranti / Filter cartridge

Cod./Cod.	Mod./Mod.	Descrizione/Description
OFC100-3	20201/C1	100µ - Inox grecata (Corrugated stainless steel) cm² 105
OFC044-3	20201/C4	44µ - Inox grecata (Corrugated stainless steel) cm² 105
OFC015-3	20201CC5	15µ - Carta ondulata (Corrugated paper) cm² 235

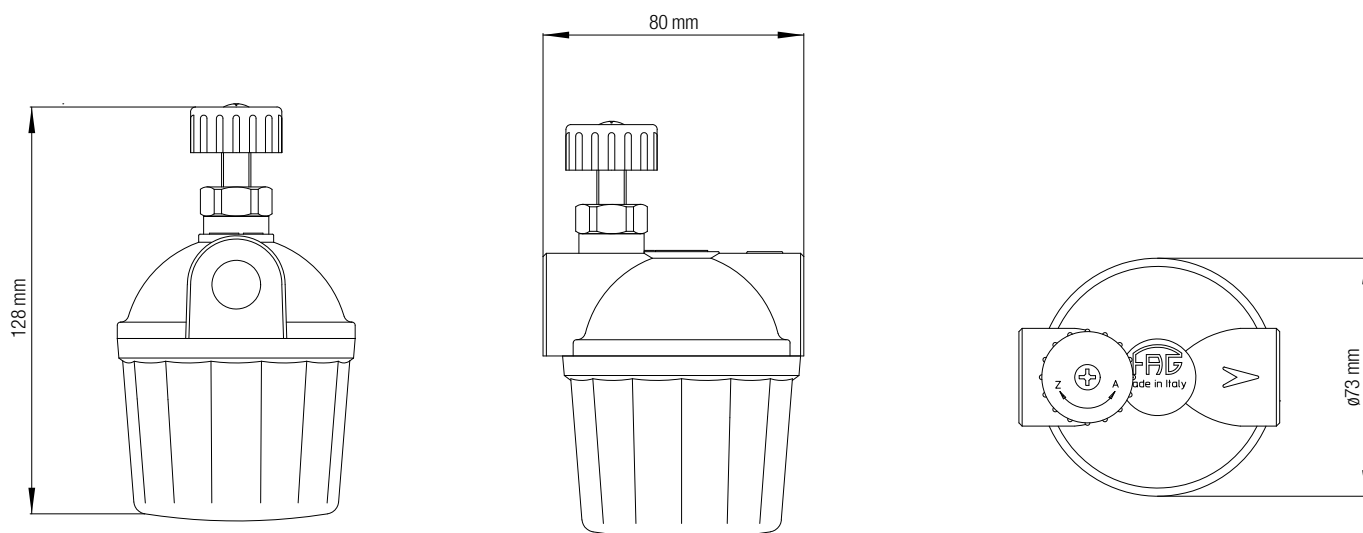
Kit guarnizioni / Gasket kit

Cod./Cod.	Mod./Mod.	Descrizione/Description
OFG-3	-	Kit guarnizioni per serie / Gasket kit for series 20200-20210-20230-20240-20250



1	Coperchio - Cover
2	O-Ring - O-Ring
3	Guarnizione - Gasket
4	Cartuccia - Cartridge
5	Vaschetta - Bowl
6	O-Ring - O-Ring
7	Vite - Screw

8	Asta Rubinetto - Shaft
9	O-Ring - O-Ring
10	O-Ring - O-Ring
11	Raccordo - Junction
12	Pomolo - Pull
13	Vite - Screw
14	Etichetta - Label



Dimensioni / Dimension	3/8"	1/2"
PESO / WEIGHT (g)	275	265

FILTRI GASOLIO con vaschetta in alluminio e rubinetto con sicurezza
DIESEL FILTERS with aluminium bowl and shut-off valve



Cod./Cod.	Descrizione/Description	Dim.	P.Max
OF010AL-SSV	20241/AL Filtro Cartuccia inox 100µ 20241/AL Filter Stainless steel cartridge 100µ	3/8"	2bar
OF015AL-SSV	20242/AL Filtro Cartuccia inox 100µ 20242/AL Filter Stainless steel cartridge 100µ	1/2"	2bar
OF010AL-SSV-44	20241AL4 Filtro Cartuccia inox 44µ 20241AL4 Filter Stainless steel cartridge 44µ	3/8"	2bar
OF015AL-SSV-44	20242AL4 Filtro Cartuccia inox 44µ 20242AL4 Filter Stainless steel cartridge 44µ	1/2"	2bar
OF010AL-SSV-15	20241CAL Filtro Cartuccia carta 15µ 20241CAL Filter Paper cartridge 15µ	3/8"	2bar
OF015AL-SSV-15	20242CAL Filtro Cartuccia carta 15µ 20242CAL Filter Paper cartridge 15µ	1/2"	2bar

Dispositivo di sicurezza/Safety device

Il rubinetto interrompe automaticamente il flusso del combustibile al raggiungimento della temperatura di 70 °C
 When it reaches a temperature of 70° C, the valve closes automatically

Caratteristiche tecniche/Technical features

Pmax - Inlet max	2bar
Filtri - Filters	100µ - 44µ - 15µ
Attacchi Inlet-Outlet Connection	3/8" - 1/2" ISO 228
Temperatura di esercizio Working temperature	-20° C - +60° C
Utilizzo - Use	Gasolio - Diesel

Materiali/Materials:

Corpo - Body	Die - Cast Aluminium Gd - AISI12Cu - EN AB 46100
Cartuccia Cartridge	Alluminio o carta Stainless steel mesh or paper

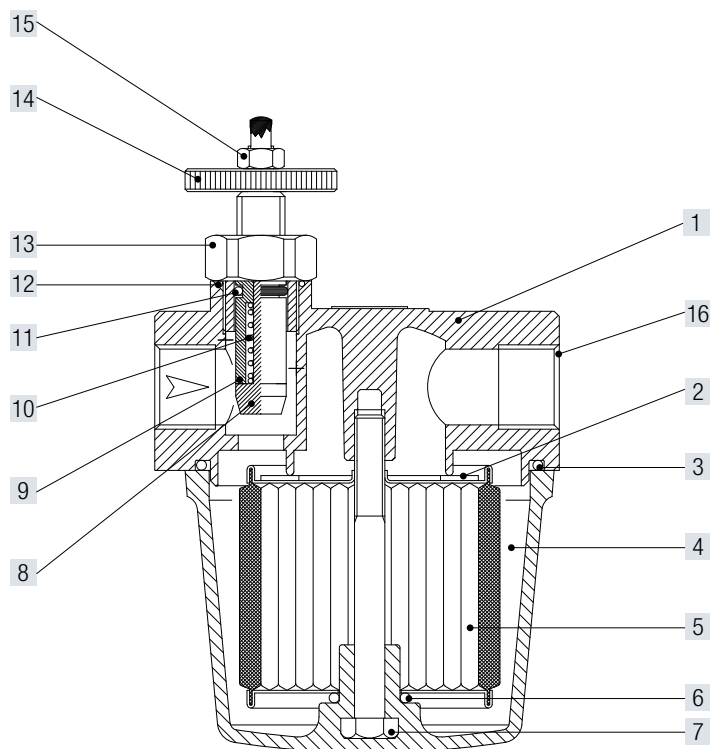
RICAMBI / SPARE PARTS

Cartucce filtranti / Filter cartridge

Cod./Cod.	Mod./Mod.	Descrizione/Description
OFC100-3	20201/C1	100µ - Inox grecata (Corrugated stainless steel) cm² 105
OFC044-3	20201/C4	44µ - Inox grecata (Corrugated stainless steel) cm² 105
OFC015-3	20201CC5	15µ - Carta ondulata (Corrugated paper) cm² 235

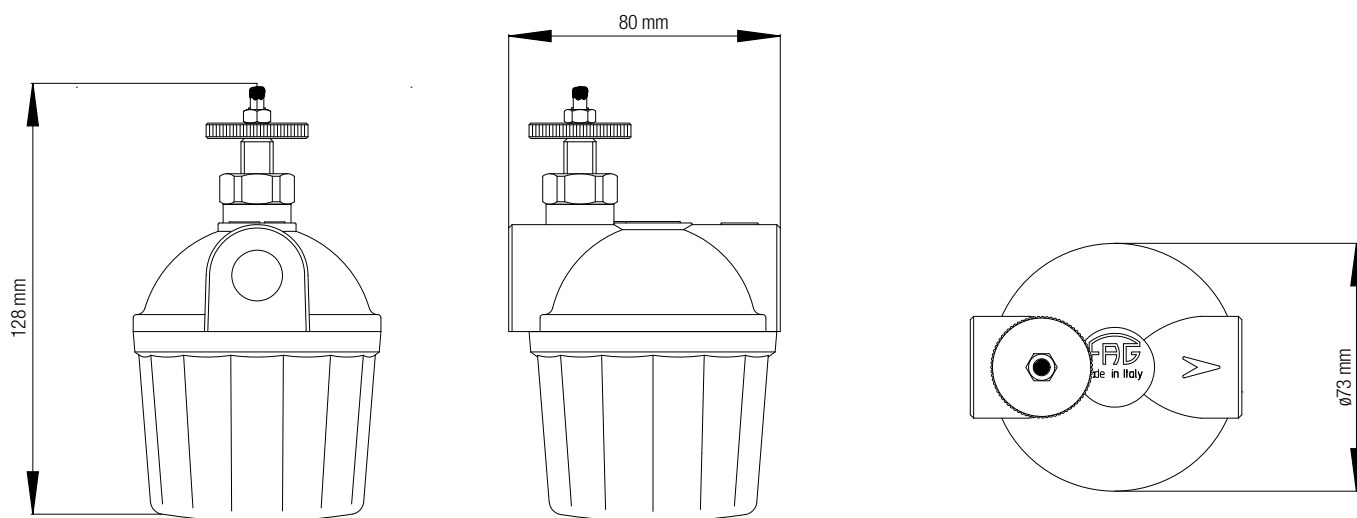
Kit guarnizioni / Gasket kit

Cod./Cod.	Mod./Mod.	Descrizione/Description
OFG-3	-	Kit guarnizioni per serie / Gasket kit for series 20200-20210-20230-20240-20250



1	Coperchio - Cover
2	Guarnizione - Gasket
3	O-Ring - O-Ring
4	Vaschetta - Bowl
5	Cartuccia - Cartridge
6	O-Ring - O-Ring
7	Vite - Screw
8	Asta - Shaft

9	Asta - Shaft
10	Molla - Spring
11	O-Ring - O-Ring
12	O-Ring - O-Ring
13	Raccordo - Junction
14	Pomolo - Pull
15	Dado - Nut
16	Etichetta - Label



Dimensioni / Dimension	3/8"	1/2"
PESO / WEIGHT (g)	320	310

FILTRI GASOLIO con vaschetta in plastica e rubinetto con sicurezza
DIESEL FILTERS with plastic bowl and shut-off valve



Cod./Cod.	Descrizione/Description	Dim.	P.Max
OF010PL-SSV	20241/PL Filtro Cartuccia inox 100µ 20241/PL Filter Stainless steel cartridge 100µ	3/8"	1bar
OF015PL-SSV	20242/PL Filtro Cartuccia inox 100µ 20242/PL Filter Stainless steel cartridge 100µ	1/2"	1bar
OF010PL-SSV-44	20241PL4 Filtro Cartuccia inox 44µ 20241PL4 Filter Stainless steel cartridge 44µ	3/8"	1bar
OF015PL-SSV-44	20242PL4 Filtro Cartuccia inox 44µ 20242PL4 Filter Stainless steel cartridge 44µ	1/2"	1bar
OF010PL-SSV-15	20241CPL Filtro Cartuccia carta 15µ 20241CPL Filter Paper cartridge 15µ	3/8"	1bar
OF015PL-SSV-15	20242CPL Filtro Cartuccia carta 15µ 20242CPL Filter Paper cartridge 15µ	1/2"	1bar

Dispositivo di sicurezza/Safety device

Il rubinetto interrompe automaticamente il flusso del combustibile al raggiungimento della temperatura di 70 °C
 When it reaches a temperature of 70° C, the valve closes automatically

Caratteristiche tecniche/Technical features

Pmax - Inlet max	1bar
Filtri - Filters	100µ - 44µ - 15µ
Attacchi Inlet-Outlet Connection	3/8" - 1/2" ISO 228
Temperatura di esercizio Working temperature	-20° C - +60° C
Utilizzo - Use	Gasolio - Diesel

Materiali/Materials:

Corpo - Body	Die - Cast Aluminium Gd - AISI12Cu - EN AB 46100
Cartuccia Cartridge	Alluminio o carta Stainless steel mesh or paper

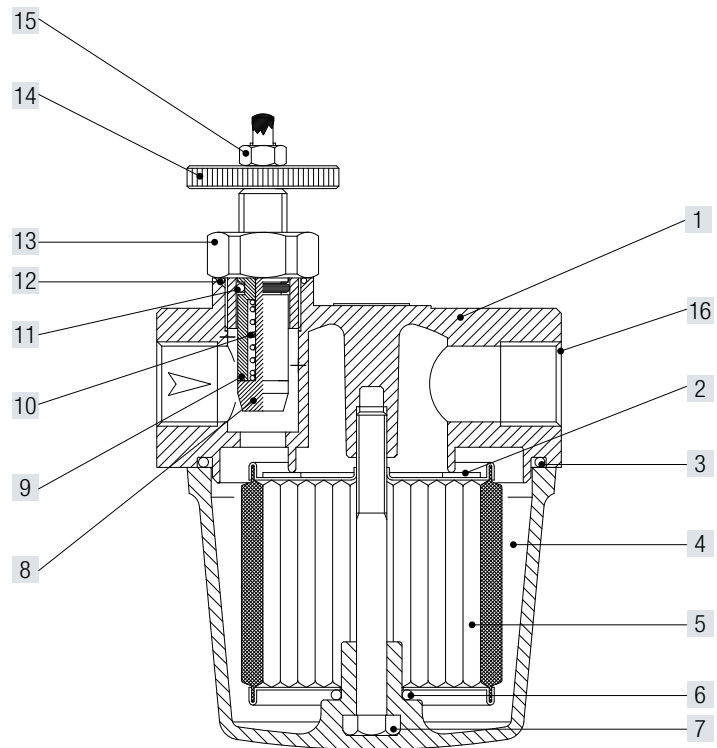
RICAMBI / SPARE PARTS

Cartucce filtranti / Filter cartridge

Cod./Cod.	Mod./Mod.	Descrizione/Description
OFC100-3	20201/C1	100µ - Inox grecata (Corrugated stainless steel) cm² 105
OFC044-3	20201/C4	44µ - Inox grecata (Corrugated stainless steel) cm² 105
OFC015-3	20201CC5	15µ - Carta ondulata (Corrugated paper) cm² 235

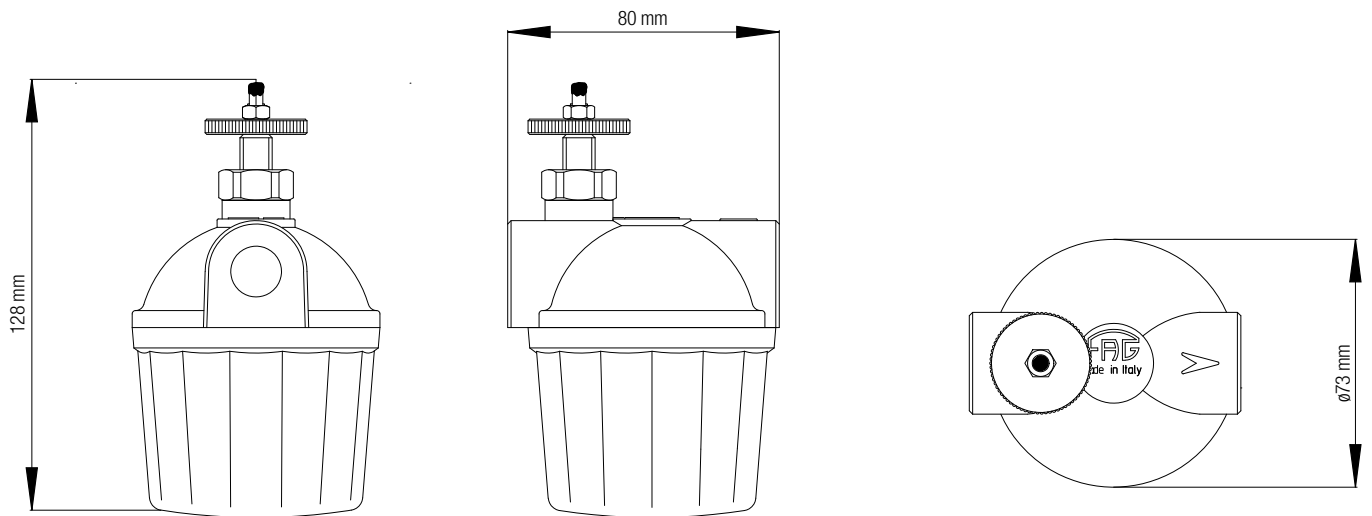
Kit guarnizioni / Gasket kit

Cod./Cod.	Mod./Mod.	Descrizione/Description
OFG-3	-	Kit guarnizioni per serie / Gasket kit for series 20200-20210-20230-20240-20250



1	Coperchio - Cover
2	Guarnizione - Gasket
3	O-Ring - O-Ring
4	Vaschetta - Bowl
5	Cartuccia - Cartridge
6	O-Ring - O-Ring
7	Vite - Screw
8	Asta - Shaft

9	Asta - Shaft
10	Molla - Spring
11	O-Ring - O-Ring
12	O-Ring - O-Ring
13	Raccordo - Junction
14	Pomolo - Pull
15	Dado - Nut
16	Etichetta - Label



Dimensioni / Dimension	3/8"	1/2"
PESO / WEIGHT (g)	280	270

FILTRI GASOLIO A 2 VIE con vaschetta in alluminio, valvola di ritegno e rubinetto
2 way DIESEL FILTERS with aluminium bowl, closing and check valve



Cod./Cod.	Descrizione/Description	Dim.	P.Max
OF010AL-2W	20250/AL Filtro Cartuccia inox 100µ 20250/AL Filter Stainless steel cartridge 100µ	3/8"	2bar
OF010AL-2W-44	20250AL4 Filtro Cartuccia inox 44µ 20250AL4 Filter Stainless steel cartridge 44µ	3/8"	2bar
OF010AL-2W-15	20250CAL Filtro Cartuccia carta 15µ 20250CAL Filter Paper cartridge 15µ	3/8"	2bar

Caratteristiche tecniche/Technical features	
Pmax - Inlet max	2bar
Filtri - Filters	100µ - 44µ - 15µ
Attacchi Inlet-Outlet Connection	3/8" ISO 228
Temperatura di esercizio Working temperature	-20° C - +60° C
Utilizzo - Use	Gasolio - Diesel

Materiali/Materials:

Corpo - Body	Die - Cast Aluminium Gd - AlSi12Cu - EN AB 46100
Cartuccia Cartridge	Alluminio o carta Stainless steel mesh or paper

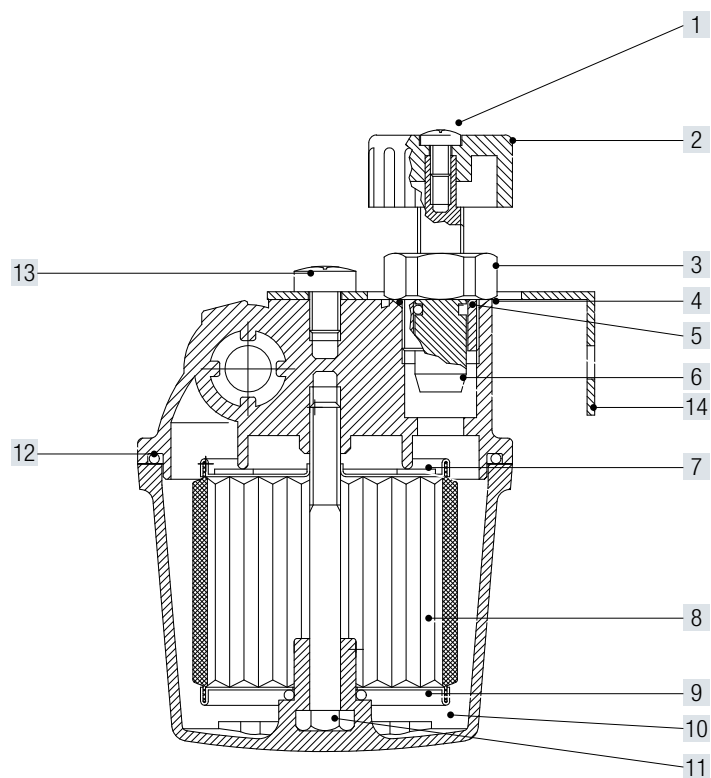
RICAMBI / SPARE PARTS

Cartucce filtranti / Filter cartridge

Cod./Cod.	Mod./Mod.	Descrizione/Description
OFC100-3	20201/C1	100µ - Inox grecata (Corrugated stainless steel) cm² 105
OFC044-3	20201/C4	44µ - Inox grecata (Corrugated stainless steel) cm² 105
OFC015-3	20201CC5	15µ - Carta ondulata (Corrugated paper) cm² 235

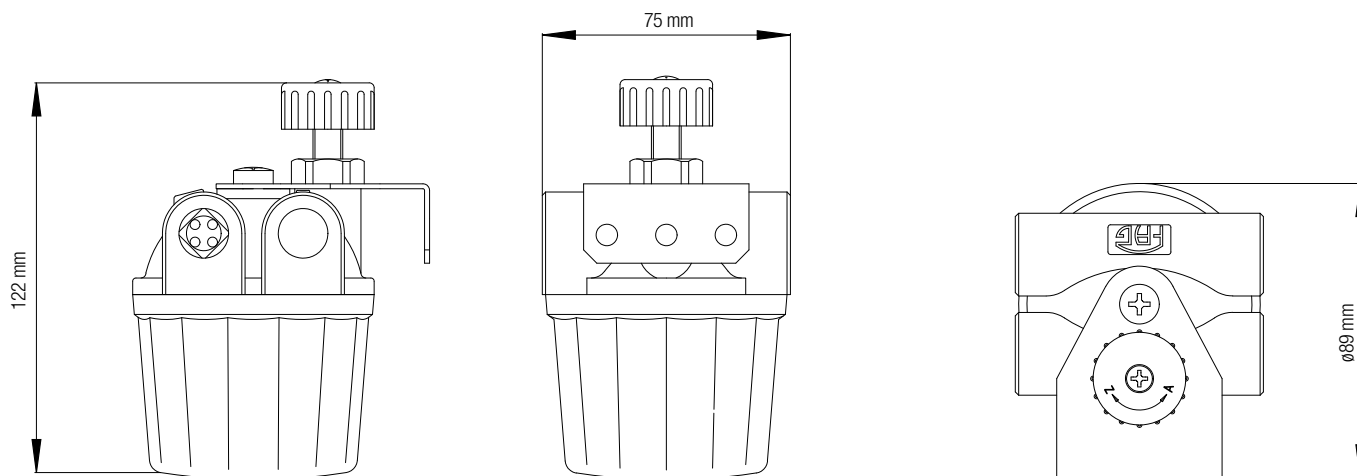
Kit guarnizioni / Gasket kit

Cod./Cod.	Mod./Mod.	Descrizione/Description
OFG-3	-	Kit guarnizioni per serie / Gasket kit for series 20200-20210-20230-20240-20250



1	Vite - Screw
2	Pomolo - Pull
3	Raccordo - Junction
4	O-Ring - O-Ring
5	O-Ring - O-Ring
6	Asta - Shaft
7	Guarnizione - Gasket

8	Cartuccia - Cartridge
9	O-Ring - O-Ring
10	Vaschetta - Bowl
11	Vite - Screw
12	O-Ring - O-Ring
13	Vite - Screw
14	Staffa - Fixing bracket



Dimensioni / Dimension	3/8"
PESO / WEIGHT (g)	355

FILTRI GASOLIO a 2 vie con vaschetta in plastica, valvola di ritegno e rubinetto
2 way DIESEL FILTERS with plastic bowl, closing and check valve



Cod./Cod.	Descrizione/Description	Dim.	P.Max
OF010PL-2W	20250/PL Filtro Cartuccia inox 100µ 20250/PL Filter Stainless steel cartridge 100µ	3/8"	1bar
OF010PL-2W-44	20250PL4 Filtro Cartuccia inox 44µ 20250PL4 Filter Stainless steel cartridge 44µ	3/8"	1bar
OF010PL-2W-15	20250CPL Filtro Cartuccia carta 15µ 20250CPL Filter Paper cartridge 15µ	3/8"	1bar

Caratteristiche tecniche/Technical features	
Pmax - Inlet max	1bar
Filtri - Filters	100µ - 44µ - 15µ
Attacchi Inlet-Outlet Connection	3/8" ISO 228
Temperatura di esercizio Working temperature	-20° C - +60° C
Utilizzo - Use	Gasolio - Diesel

Materiali/Materials:

Corpo - Body	Die - Cast Aluminium Gd - AISI12Cu - EN AB 46100
Cartuccia Cartridge	Alluminio o carta Stainless steel mesh or paper

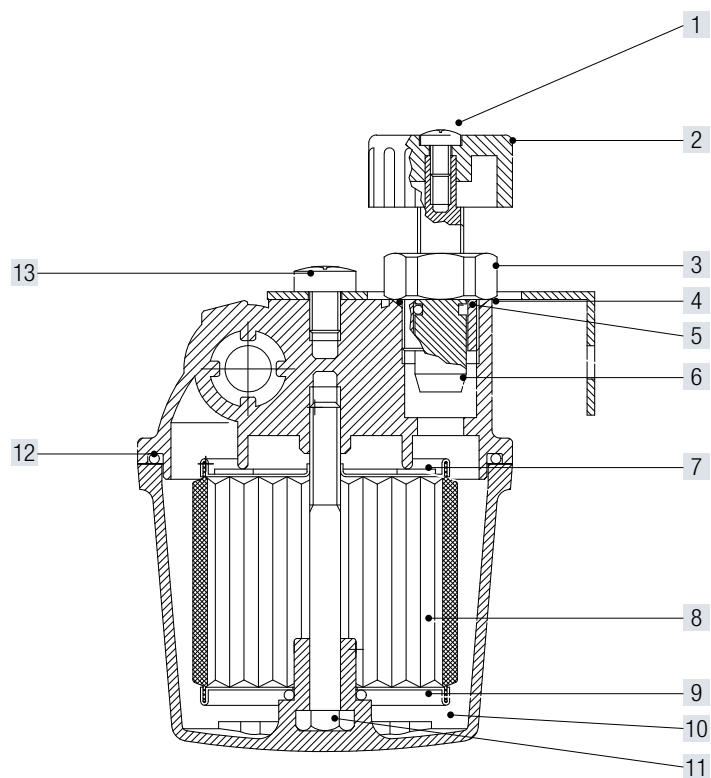
RICAMBI / SPARE PARTS

Cartucce filtranti / Filter cartridge

Cod./Cod.	Mod./Mod.	Descrizione/Description
OFC100-3	20201/C1	100µ - Inox grecata (Corrugated stainless steel) cm² 105
OFC044-3	20201/C4	44µ - Inox grecata (Corrugated stainless steel) cm² 105
OFC015-3	20201CC5	15µ - Carta ondulata (Corrugated paper) cm² 235

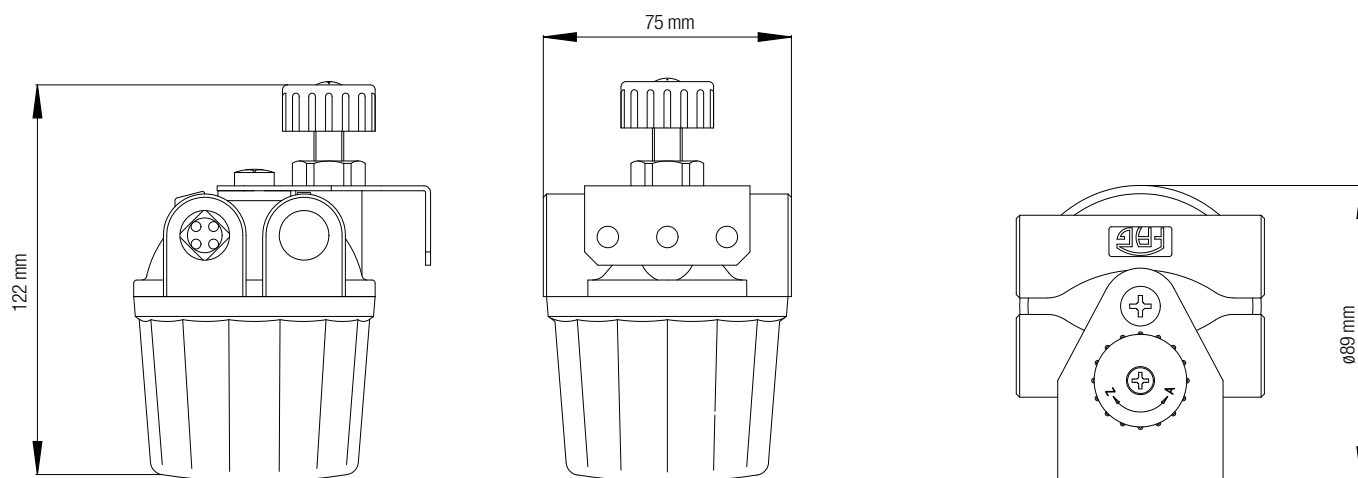
Kit guarnizioni / Gasket kit

Cod./Cod.	Mod./Mod.	Descrizione/Description
OFG-3	-	Kit guarnizioni per serie / Gasket kit for series 20200-20210-20230-20240-20250



1	Vite - Screw
2	Pomolo - Pull
3	Raccordo - Junction
4	O-Ring - O-Ring
5	O-Ring - O-Ring
6	Asta - Shaft
7	Guarnizione - Gasket

8	Cartuccia - Cartridge
9	O-Ring - O-Ring
10	Vaschetta - Bowl
11	Vite - Screw
12	O-Ring - O-Ring
13	Vite - Screw



Dimensioni / Dimension	3/8"
PESO / WEIGHT (g)	320

FILTRI GASOLIO E OLIO COMBUSTIBILE
DIESEL AND FUEL OIL FILTERS



Cod./Cod.	Descrizione/Description	Dim.	P.Max
OF010HC	20224 Filtro Cartuccia inox 100µ H74 20224 Filter Stainless steel cartridge 100µ H74	3/8"	2bar
OF015HC	20225 Filtro Cartuccia inox 100µ H74 20225 Filter Stainless steel cartridge 100µ H74	1/2"	2bar

Caratteristiche tecniche/Technical features	
Pmax - Inlet max	2bar
Filtri - Filters	100µ
Attacchi Inlet-Outlet Connection	3/8" - 1/2" ISO 228
Temperatura di esercizio Working temperature	-20° C - +60° C
Utilizzo - Use	Gasolio e olio combustibile / Diesel and fuel oil

Materiali/Materials:

Corpo - Body	Die - Cast Aluminium Gd - AISI12Cu - EN AB 46100
Cartuccia Cartridge	Alluminio Stainless steel

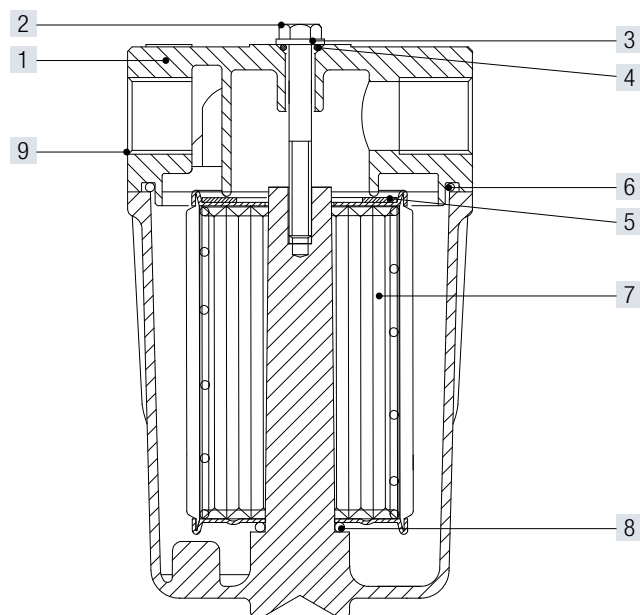
RICAMBI / SPARE PARTS

Cartucce filtranti / Filter cartridge

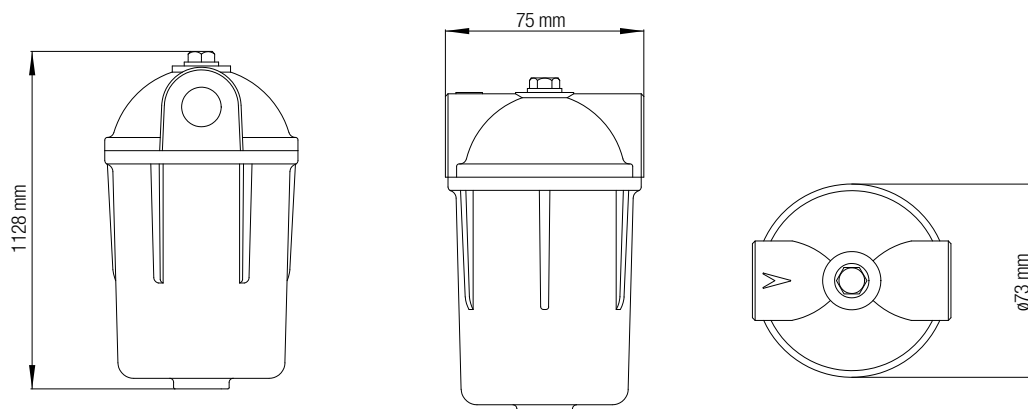
Cod./Cod.	Mod./Mod.	Descrizione/Description
OFC100-5	20224/C1	100µ - Inox grecata (Corrugated stainless steel) cm² 140

Kit guarnizioni / Gasket kit

Cod./Cod.	Mod./Mod.	Descrizione/Description
OFG-5	-	Kit guarnizioni per serie / Gasket kit for serie 20224



1	Coperchio - Cover
2	Vite - Screw
3	Rondella - Washer
4	O-Ring - O-Ring
5	Guarnizione - Gasket
6	O-Ring - O-Ring
7	Cartuccia - Cartridge
8	O-Ring - O-Ring
9	Etichetta - Label



Dimensioni / Dimension	3/8"	1/2"
PESO / WEIGHT (g)	350	340

FILTRI GASOLIO E OLIO COMBUSTIBILE con resistenza
DIESEL AND FUEL OIL FILTERS with heating element



Cod./Cod.	Descrizione/Description	Dim.	P.Max
OF008EH	20223 Filtro Cartuccia inox 100µ 20223 Filter Stainless steel cartridge 100µ	1/4"	2bar R 100W
OF010EH	20221 Filtro Cartuccia inox 100µ 20221 Filter Stainless steel cartridge 100µ	3/8"	2bar R 100W
OF015EH	20222 Filtro Cartuccia inox 100µ 20222 Filter Stainless steel cartridge 100µ	1/2"	2bar R 100W
OF008E2H	20223/R2 Filtro Cartuccia inox 100µ 20223/R2 Filter Stainless steel cartridge 100µ	1/4"	2bar R 200W
OF010E2H	20221R2 Filtro Cartuccia inox 100µ 20221R2 Filter Stainless steel cartridge 100µ	3/8"	2bar R 100W

Caratteristiche tecniche/Technical features	
Pmax - Inlet max	2bar
Filtri - Filters	100µ
Attacchi Inlet-Outlet Connection	1/4" - 3/8" - 1/2" ISO 228
Temperatura di esercizio Working temperature	-20° C - +60° C
Utilizzo - Use	Gasolio e olio combustibile / Diesel and fuel oil
Materiali/Materials:	
Corpo - Body	Die - Cast Aluminium Gd - AISI12Cu - EN AB 46100
Cartuccia Cartridge	Alluminio Stainless steel

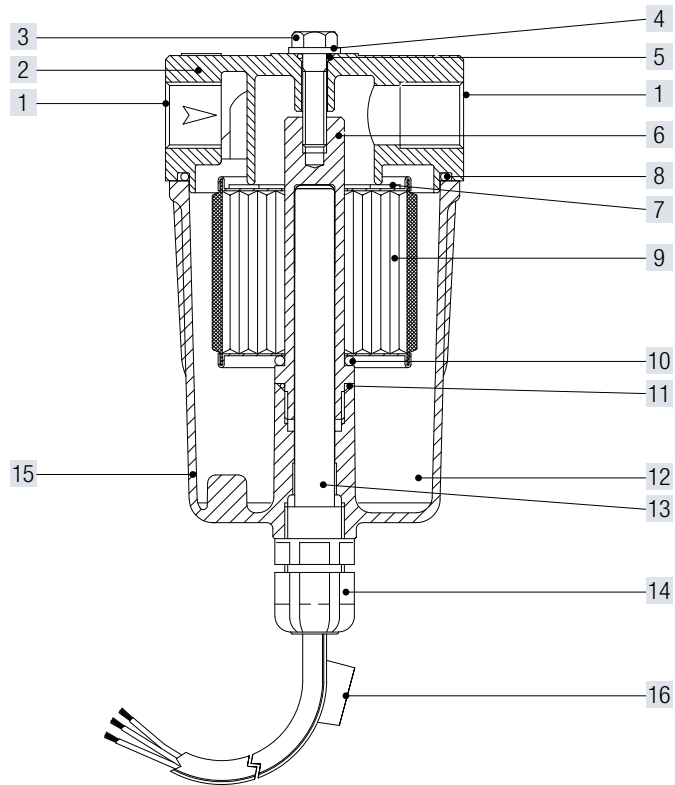
RICAMBI / SPARE PARTS

Cartucce filtranti / Filter cartridge

Cod./Cod.	Mod./Mod.	Descrizione/Description
OFC100-4	20221/C1	100µ - Inox grecata (Corrugated stainless steel) cm² 105
OFC044-4	20221/C4	44µ - Inox grecata (Corrugated stainless steel) cm² 105

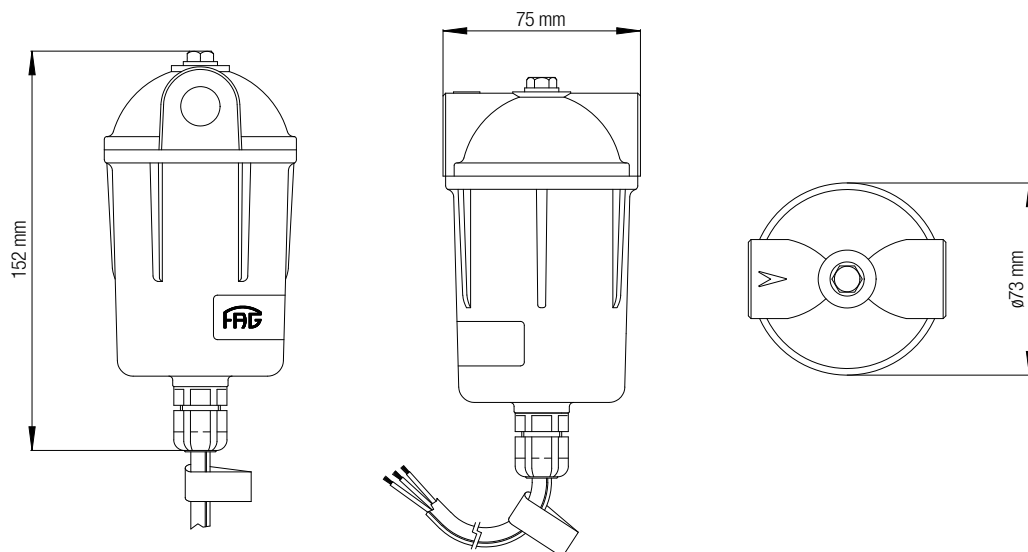
Kit guarnizioni / Gasket kit

Cod./Cod.	Mod./Mod.	Descrizione/Description
OFG-4	-	Kit guarnizioni per serie / Gasket kit for serie 20220



1	Etichetta - Label
2	Coperchio - Cover
3	Vite - Screw
4	Rondella - Washer
5	O-Ring - O-Ring
6	Perno - Pivot
7	Guarnizione - Gasket
8	O-Ring - O-Ring

9	Cartuccia - Cartridge
10	O-Ring - O-Ring
11	O-Ring - O-Ring
12	Vaschetta - Bowl
13	Resistenza - Electrical heater
14	Pressacavo - Cable gland
15	Etichetta - Label
16	Etichetta - Label



Dimensioni / Dimension	1/4"	3/8"	1/2"
PESO / WEIGHT (g)	450	440	420

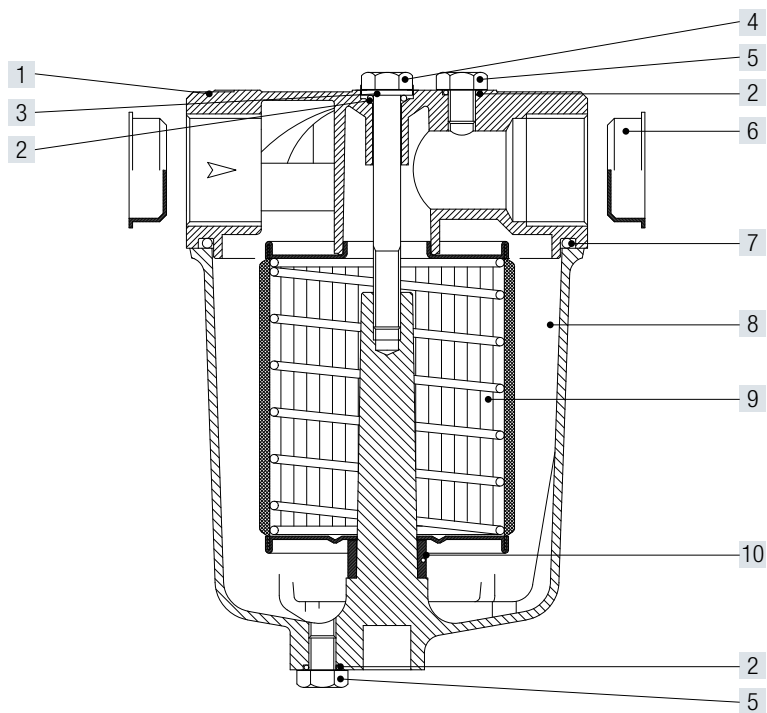
FILTRI PER OLIO COMBUSTIBILE con vite di spurgo
FUEL OIL FILTERS with water drain valve



Cod./Cod.	Descrizione/Description	Dim.	P.Max
OF015BV	20306/10 Filtro Cartuccia inox 100µ 20306/10 Filter Stainless steel cartridge 100µ	1/2"	2bar
OF015BV-200	20306/20 Filtro Cartuccia inox 200µ 20306/20 Filter Stainless steel cartridge 200µ	1/2"	2bar
OF015BV-300	20306/30 Filtro Cartuccia inox 300µ 20306/30 Filter Stainless steel cartridge 300µ	1/2"	2bar
OF020BV	20304/10 Filtro Cartuccia inox 100µ 20304/10 Filter Stainless steel cartridge 100µ	3/4"	2bar
OF020BV-200	20304/20 Filtro Cartuccia inox 200µ 20304/20 Filter Stainless steel cartridge 200µ	3/4"	2bar
OF020BV-300	20304/30 Filtro Cartuccia inox 300µ 20304/30 Filter Stainless steel cartridge 300µ	3/4"	2bar
OF025BV	20301/10 Filtro Cartuccia inox 100µ 20301/10 Filter Stainless steel cartridge 100µ	1"	2bar
OFV025BV	20301V10 Filtro biodiesel Cartuccia inox 100µ 20301V10 Biodiesel filter Stainless steel cartridge 100µ	1"	2bar (Viton)
OF025BV-200	20301/20 Filtro Cartuccia inox 200µ 20301/20 Filter Stainless steel cartridge 200µ	1"	2bar
OF025BV-300	20301/30 Filtro Cartuccia inox 300µ 20301/30 Filter Stainless steel cartridge 300µ	1"	2bar

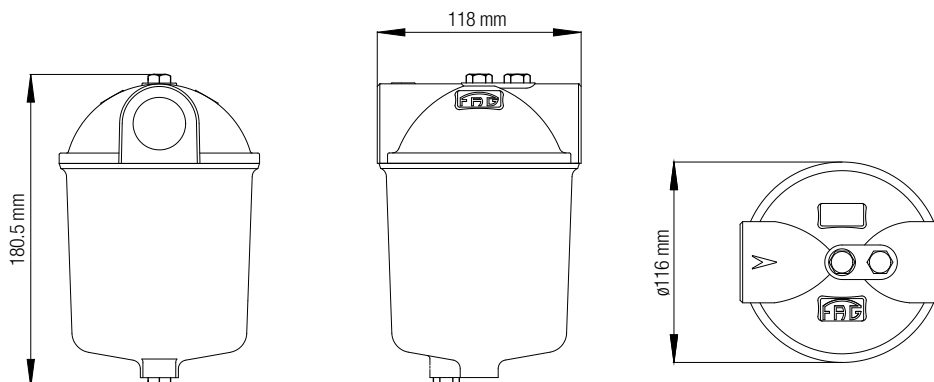
Caratteristiche tecniche/Technical features	
Pmax - Inlet max	2bar
Filtri - Filters	100µ - 200µ - 300µ
Attacchi Inlet-Outlet Connection	1/2" - 1/2" - 1" - ISO 228
Temperatura di esercizio Working temperature	-20° C - +60° C
Utilizzo - Use	Olio combustibile / Fuel oil
Materiali/Materials:	
Corpo - Body	Die - Cast Aluminium Gd - AlSi12Cu - EN AB 46100
Cartuccia Cartridge	Alluminio Stainless steel

RICAMBI / SPARE PARTS		
Cartucce filtranti / Filter cartridge		
Cod./Cod.	Mod./Mod.	Descrizione/Description
OFC100-6	20301/C1	100µ - Inox grecata (Corrugated stainless steel) cm² 300
OFC200-6	20301/C2	200µ - Inox grecata (Corrugated stainless steel) cm² 300
OFC300-6	20301/C3	300µ - Inox grecata (Corrugated stainless steel) cm² 530
Kit guarnizioni / Gasket kit		
Cod./Cod.	Mod./Mod.	Descrizione/Description
OFG-6	-	Kit guarnizioni per serie / Gasket kit for series 20300-20350



- 1** Coperchio - Cover
- 2** O-Ring - O-Ring
- 3** Rondella - Washer
- 4** Vite - Screw
- 5** Vite - Screw

- 6** Tappo - Screw cover
- 7** O-Ring - O-Ring
- 8** Vaschetta - Bowl
- 9** Cartuccia - Cartridge
- 10** Guarnizione o molla - Gasket or spring



Dimensioni / Dimension	1/2"	3/4"	1"
PESO / WEIGHT (g)	910	880	850

FILTRI PER OLIO COMBUSTIBILE con vite di spurgo e resistenza
FUEL OIL FILTERS with water drain valve and heating element



Cod./Cod.	Descrizione/Description	Dim.	P.Max
OF015BV-EH	20356/10 Filtro Cartuccia inox 100µ 20356/10 Filter Stainless steel cartridge 100µ	1/2"	2bar
OF015BV-EH-200	20356/20 Filtro Cartuccia inox 200µ 20356/20 Filter Stainless steel cartridge 200µ	1/2"	2bar
OF015BV-EH-300	20356/30 Filtro Cartuccia inox 300µ 20356/30 Filter Stainless steel cartridge 300µ	1/2"	2bar
OF020BV-EH	20354/10 Filtro Cartuccia inox 100µ 20354/10 Filter Stainless steel cartridge 100µ	3/4"	2bar
OF020BV-EH-200	20354/20 Filtro Cartuccia inox 200µ 20354/20 Filter Stainless steel cartridge 200µ	3/4"	2bar
OF020BV-EH-300	20354/30 Filtro Cartuccia inox 300µ 20354/30 Filter Stainless steel cartridge 300µ	3/4"	2bar
OF025BV-EH	20351/10 Filtro Cartuccia inox 100µ 20351/10 Filter Stainless steel cartridge 100µ	1"	2bar
OF025BV-EH-200	20351/20 Filtro Cartuccia inox 200µ 20351/20 Filter Stainless steel cartridge 200µ	1"	2bar
OF025BV-EH-300	20351/30 Filtro Cartuccia inox 300µ 20351/30 Filter Stainless steel cartridge 300µ	1"	2bar

Caratteristiche tecniche/Technical features	
Pmax - Inlet max	2bar
Filtri - Filters	100µ - 200µ - 300µ
Attacchi Inlet-Outlet Connection	1/2" - 3/4" - 1" ISO 228
Temperatura di esercizio Working temperature	-20° C - +60° C
Utilizzo - Use	Olio combustibile / Fuel oil

Materiali/Materials:

Corpo - Body	Die - Cast Aluminium Gd - AISI12Cu - EN AB 46100
Cartuccia Cartridge	Alluminio Stainless steel

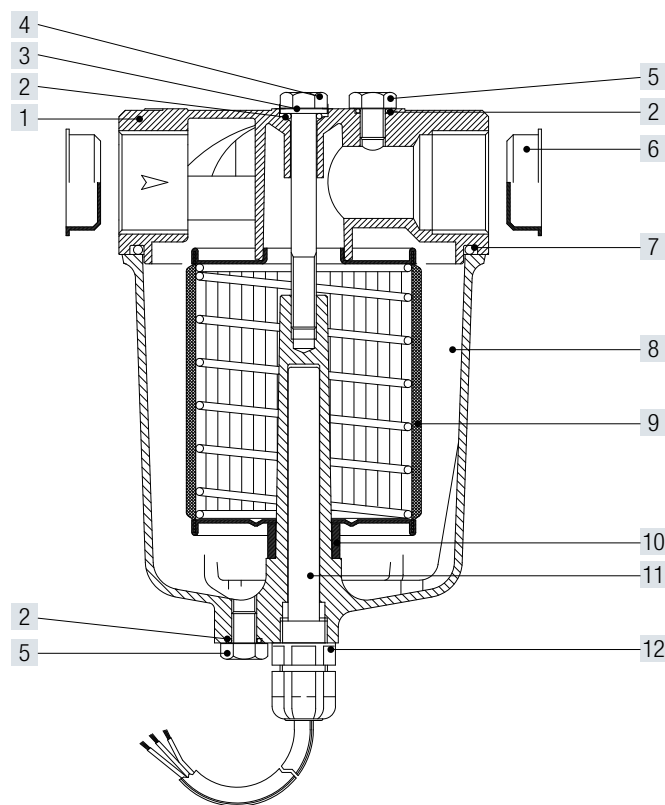
RICAMBI / SPARE PARTS

Cartucce filtranti / Filter cartridge

Cod./Cod.	Mod./Mod.	Descrizione/Description
OFC100-6	20301/C1	100µ - Inox grecata (Corrugated stainless steel) cm² 300
OFC200-6	20301/C2	200µ - Inox grecata (Corrugated stainless steel) cm² 300
OFC300-6	20301/C3	300µ - Inox grecata (Corrugated stainless steel) cm² 530

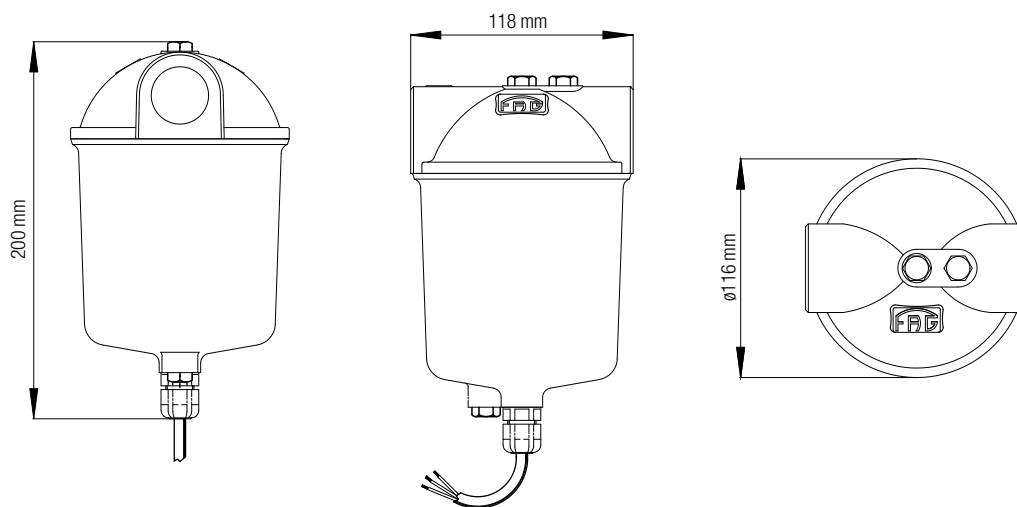
Kit guarnizioni / Gasket kit

Cod./Cod.	Mod./Mod.	Descrizione/Description
OFG-6	-	Kit guarnizioni per serie / Gasket kit for series 20300-20350



1	Coperchio - Cover
2	O-Ring - O-Ring
3	Rondella - Washer
4	Vite - Screw
5	Vite - Screw
6	Tappo - Screw cover

7	O-Ring - O-Ring
8	Vaschetta - Bowl
9	Cartuccia - Cartridge
10	Guarnizione o molla - Gasket or spring
11	Resistenza - Electrical heater
12	Pressacavo - Cable gland



Dimensioni / Dimension	1/2"	3/4"	1"
PESO / WEIGHT (g)	990	960	930

FILTRI PER OLIO COMBUSTIBILE con vite di spurgo
FUEL OIL FILTERS with water drain valve



Cod./Cod.	Descrizione/Description	Dim.	P.Max
OF025HC-BV	20401/10 Filtro Cartuccia inox 100µ 20401/10 Filter Stainless steel cartridge 100µ	1"	2bar
OF025HC-BV-200	20401/20 Filtro Cartuccia inox 200µ 20401/20 Filter Stainless steel cartridge 200µ	1"	2bar
OF025HC-BV-300	20401/30 Filtro Cartuccia inox 300µ 20401/30 Filter Stainless steel cartridge 300µ	1"	2bar
OF032HC-BV	20402/10 Filtro Cartuccia inox 100µ 20354/10 Filter Stainless steel cartridge 100µ	1"1/4	2bar
OF032HC-BV-200	20402/20 Filtro Cartuccia inox 200µ 20402/20 Filter Stainless steel cartridge 200µ	1"1/4	2bar
OF032HC-BV-300	20402/30 Filtro Cartuccia inox 300µ 20402/30 Filter Stainless steel cartridge 300µ	1"1/4	2bar
OF040HC-BV	20403/10 Filtro Cartuccia inox 100µ 20403/10 Filter Stainless steel cartridge 100µ	1"1/2	2bar
OF040HC-BV-200	20403/20 Filtro Cartuccia inox 200µ 20403/20 Filter Stainless steel cartridge 200µ	1"1/2	2bar
OF040HC-BV-300	20403/30 Filtro Cartuccia inox 300µ 20403/30 Filter Stainless steel cartridge 300µ	1"1/2	2bar

Caratteristiche tecniche/Technical features	
Pmax - Inlet max	2bar
Filtri - Filters	100µ - 200µ - 300µ
Attacchi Inlet-Outlet Connection	1" - 1"1/4 - 1"1/2 ISO 228
Temperatura di esercizio Working temperature	-20° C - +60° C
Utilizzo - Use	Olio combustibile / Fuel oil

Materiali/Materials:

Corpo - Body	Die - Cast Aluminium Gd - AISI12Cu - EN AB 46100
Cartuccia Cartridge	Alluminio Stainless steel

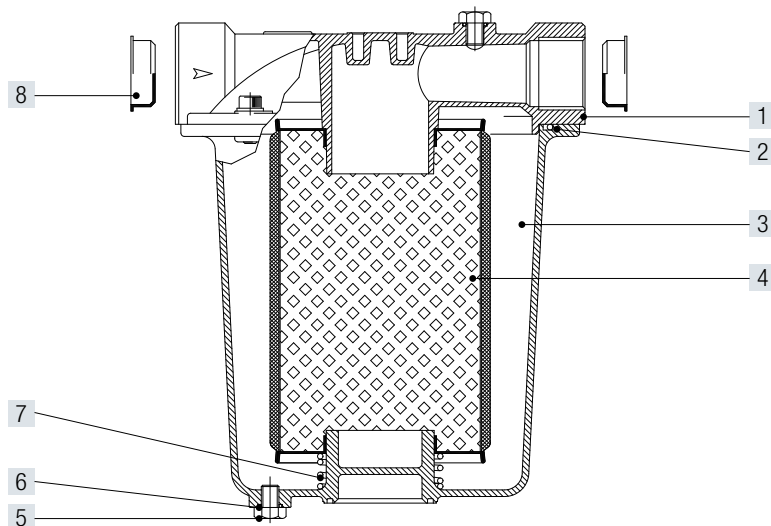
RICAMBI / SPARE PARTS

Cartucce filtranti / Filter cartridge

Cod./Cod.	Mod./Mod.	Descrizione/Description
OFC100-7	20401/C1	100µ - Inox grecata (Corrugated stainless steel) cm² 670
OFC200-7	20401/C2	200µ - Inox grecata (Corrugated stainless steel) cm² 670
OFC300-7	20401/C3	300µ - Inox grecata (Corrugated stainless steel) cm² 1130

Kit guarnizioni / Gasket kit

Cod./Cod.	Mod./Mod.	Descrizione/Description
OFG-7	-	Kit guarnizioni per serie / Gasket kit for series 20400-20450



- 1** Coperchio - Cover

- 2** O-Ring - O-Ring

- 3** Vaschetta - Bowl

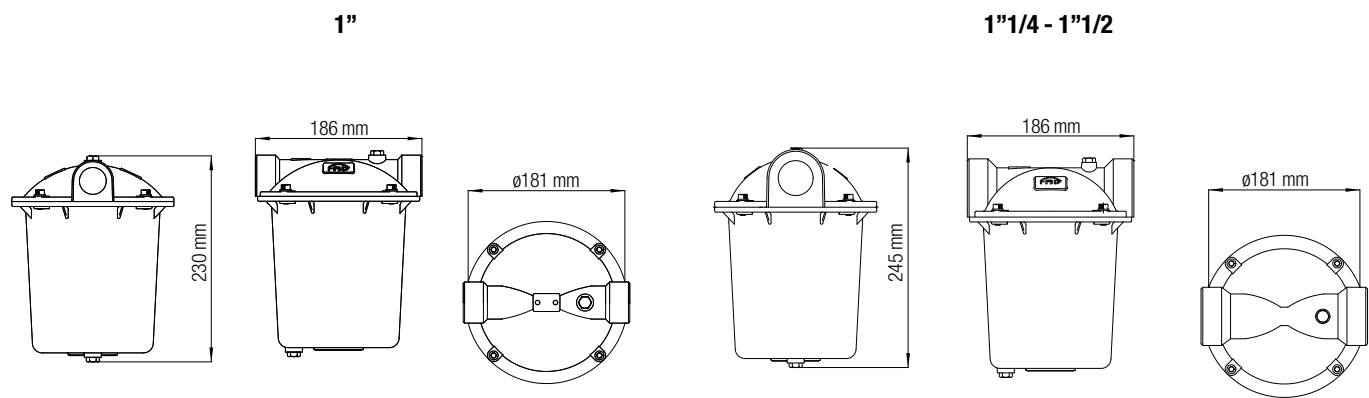
- 4** Cartuccia - Cartridge

- 5** Vite - Screw

- 6** O-Ring - O-Ring

- 7** Guarnizione o molla - Gasket or spring

- 8** Tappo - Screw cover



Dimensioni / Dimension	1"	1"1/4	1"1/2
PESO / WEIGHT (g)	1750	2050	1980

FILTRI PER OLIO COMBUSTIBILE con vite di spurgo, resistenza e termostato
FUEL OIL FILTERS with water drain valve, heating element and thermostat



Cod./Cod.	Descrizione/Description	Dim.	P.Max
OF025BV-EHT	20451/10 Filtro Cartuccia inox 100µ 20451/10 Filter Stainless steel cartridge 100µ	1"	2bar R 300W
OF025BV-EHT-200	20451/20 Filtro Cartuccia inox 200µ 20451/20 Filter Stainless steel cartridge 200µ	1"	2bar R 300W
OF025BV-EHT-300	20451/30 Filtro Cartuccia inox 300µ 20451/30 Filter Stainless steel cartridge 300µ	1"	2bar R 300W
OF032BV-EHT	20452/10 Filtro Cartuccia inox 100µ 20452/10 Filter Stainless steel cartridge 100µ	1"1/4	2bar R 300W
OF032BV-EHT-200	20452/20 Filtro Cartuccia inox 200µ 20452/20 Filter Stainless steel cartridge 200µ	1"1/4	2bar R 300W
OF032BV-EHT-300	20452/30 Filtro Cartuccia inox 300µ 20452/30 Filter Stainless steel cartridge 300µ	1"1/4	2bar R 300W
OF040BV-EHT	20453/10 Filtro Cartuccia inox 100µ 20453/10 Filter Stainless steel cartridge 100µ	1"1/2	2bar R 300W
OF040BV-EHT-200	20453/20 Filtro Cartuccia inox 200µ 20453/20 Filter Stainless steel cartridge 200µ	1"1/2	2bar R 300W
OF040BV-EHT-300	20453/30 Filtro Cartuccia inox 300µ 20453/30 Filter Stainless steel cartridge 300µ	1"1/2	2bar R 300W
OFV025BV-EHT-300	20451V30 Filtro biodiesel Cartuccia inox 300µ 20451V30 Biodiesel filter Stainless steel cartridge 300µ	1"	2bar R 300W

Caratteristiche tecniche/Technical features	
Pmax - Inlet max	2bar
Filtri - Filters	100µ - 200µ - 300µ
Attacchi Inlet-Outlet Connection	1" - 1"1/4 - 1"1/2 ISO 228
Temperatura di esercizio Working temperature	-20° C - +60° C
Utilizzo - Use	Olio combustibile / Fuel oil

Materiali/Materials:

Corpo - Body	Die - Cast Aluminium Gd - AISI12Cu - EN AB 46100
Cartuccia Cartridge	Alluminio Stainless steel

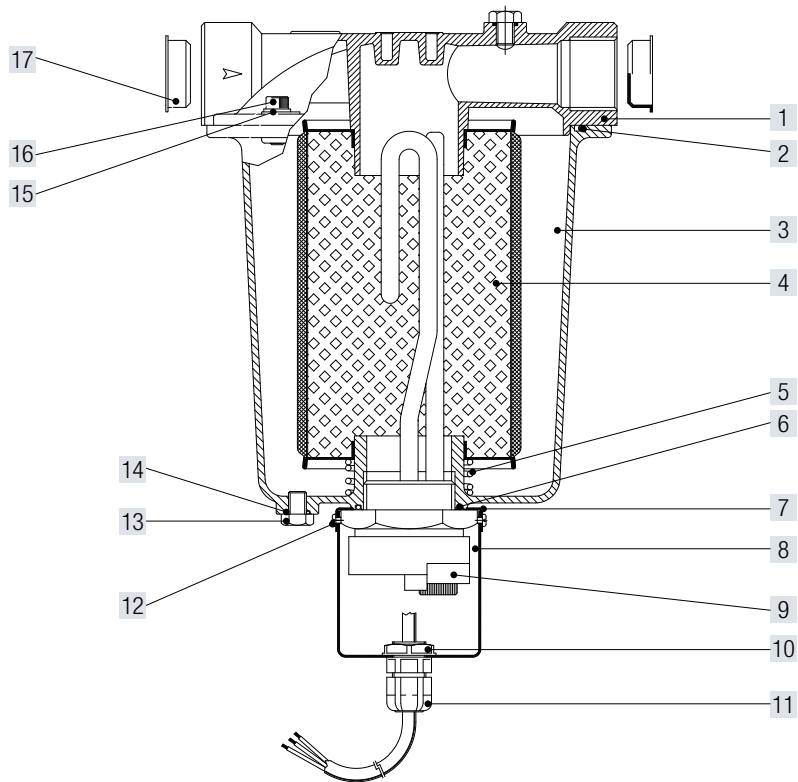
RICAMBI / SPARE PARTS

Cartucce filtranti / Filter cartridge

Cod./Cod.	Mod./Mod.	Descrizione/Description
OFC100-7	20401/C1	100µ - Inox grecata (Corrugated stainless steel) cm² 670
OFC200-7	20401/C2	200µ - Inox grecata (Corrugated stainless steel) cm² 670
OFC300-7	20401/C3	300µ - Inox grecata (Corrugated stainless steel) cm² 1130

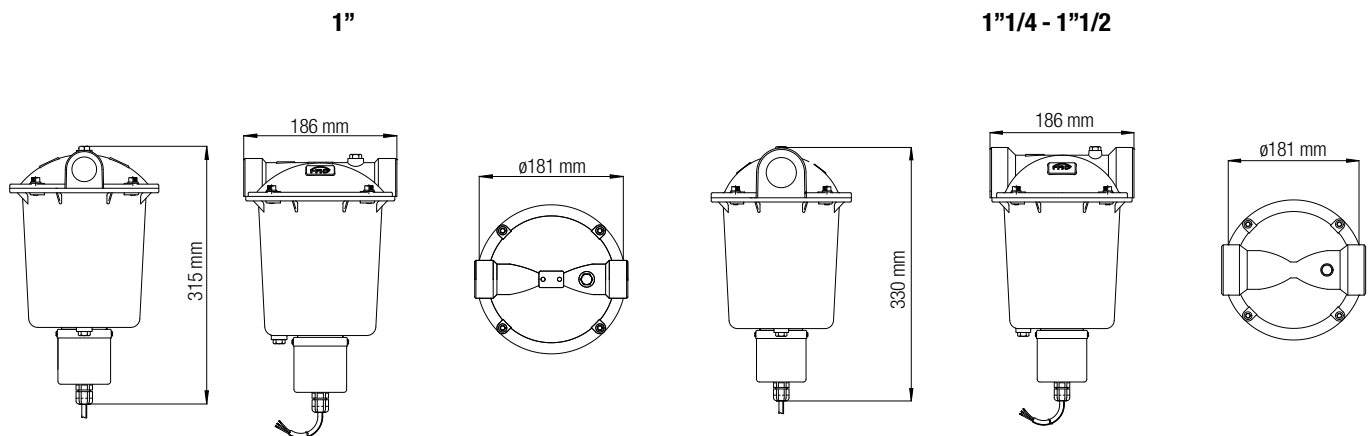
Kit guarnizioni / Gasket kit

Cod./Cod.	Mod./Mod.	Descrizione/Description
OFG-7	-	Kit guarnizioni per serie / Gasket kit for series 20400-20450



1	Coperchio - Cover
2	O-Ring - O-Ring
3	Vaschetta - Bowl
4	Cartuccia - Cartridge
5	Molla - Spring
6	O-Ring - O-Ring
7	Attacco - Connection
8	Protezione - Protection

9	Termostato - Thermostat
10	Dado - Nut
11	Pressacavo - Cable gland
12	Vite - Screw
13	Vite - Screw
14	O-Ring - O-Ring
15	Rondella - Washer
16	Vite - Screw
17	Tappo - Screw cover



Dimensioni / Dimension	1"	1"1/4	1"1/2
PESO / WEIGHT (g)	2150	2450	2380

Contaltri per gasolio

Liter counters for Diesel oil



CO220

Contaltri meccanico per la contabilizzazione del gasolio.

Di semplice e veloce installazione viene posizionato fra la pompa e l'ugello del bruciatore. Per non comprometterne la funzionalità, per garantirne la durata e per far sì che la misura rilevata sia attendibile si consiglia l'installazione di un filtro a maglia fine (del tipo previsto per le autovetture) così da trattenere le eventuali impurità contenute nel combustibile.

Mechanical liter counter to measure Diesel oil.

It can be installed easily and quickly and is placed between pump and burner nozzle.

In order not to affect its operation performance, guarantee a long life and make sure the measured value is actually reliable, it is advisable to install a thin-net filter (same as those for motorcars) which may hold any foreign matters contained in fuel.

CE

Portata nominale: 40lt/h

Rated capacity: 40lt/h

Portata massima: 80lt/h

Max capacity: 80lt/h

Portata minima: 0,7lt/h

Min. pressure: 0,7lt/h

Temperatura massima: 70°C

Max. temperature: 70°C

Attacchi: 1/8"

Couplings: 1/8"

Pressione massima: 25bar

Max. pressure: 25bar

Totalizzatore: 100m³

Odometer: 100m³

Elettropompe a pistone oscillante

Floating-piston motor pumps



P0150



P0141

Pompa a pistone oscillante montata in custodia IP65 (P0150) IP65 (P0141) da utilizzare come pompa ausiliaria per bruciatore a gasolio o a kerosene. Non deve essere installato alcun tubo di ritorno. L'alimentazione elettrica viene collegata in parallelo con il bruciatore. Si consiglia l'installazione di un riduttore di pressione sul tubo di alimentazione del bruciatore. La pompa viene consegnata completa di filtro, flessibili di aspirazione e mandata per tubi in rame 6x8.

Floating-piston motor pump placed in a case IP65 (P0150) IP65 (P0141) to be used as auxiliary pump for Diesel oil or Kerosene burners. No back-flow pipe is to be installed. Electric power is parallel connected to the burner. It is advisable to install a pressure reduction gear at the power feeding pipe of the burner. The pump is supplied fitted with filter, suction pipes and delivery pipe for copper pipes 6x8.

P0150

CE IP65

Alimentazione: 230 Vac

Power supply: 230 Vac

Autonomia: 50h

Autonomy: 50h

P0141

CE IP65

Alimentazione: 230 Vac

Power supply: 230 Vac

Portata: 10 l/h con prevalenza 18m - 30 l/h con prevalenza 10m

Flow: 10 l/h con prevalenza 18m - 30 l/h con prevalenza 10m

Aspirazione: max 3 mt.

Aspiration: max 3 mt.

Elettropompe rotative

Rotary motor pumps

EL200

CE

Alimentazione: 230 Vac

Power supply: 230 Vac

Aspirazione: 3,5m monotubo / 6m due tubi

Suction: 3,5 m single pipe / 6 m two pipe

Portata: 60l/h

Flow: 60l/h

Protezione: Aspirazione 1/4" mandata 1/8"

Rating: Suction 1/4" delivery 1/8"



EL200 – Delivery capacity 60 l/h

EL201 – Delivery capacity 100 l/h

EL201

CE

Alimentazione: 230 Vac

Power supply: 230 Vac

Aspirazione: 3,5m monotubo / 6m due tubi

Suction: 3,5 m single pipe / 6 m two pipe

Portata: 100l/h

Delivery capacity: 100l/h

Protezione: Aspirazione 1/4" mandata 1/8"

Rating: Suction 1/4" delivery 1/8"

Destinate all'alimentazione ausiliaria di bruciatori installati a grande distanza dalla cisterna combustibile. Esecuzione standard monotubo (uno di mandata ed uno di ritorno). Motore monofase 230 Vca/130 VA. 296/SE 195).

They have been planned for auxiliary feeding of the burners installed at a big distance from the fuel tank. Standard model as single-pipe (a delivery pipe and a back one). Single-phase motor 230 Vca/130 VA. 296/SE 195).

Pump test

Pump test



PU104

PUMP test fornito in robusta valigetta metallica contenente un manometro, un vuotometro in glicerina (precisione K2 1,6% - UNI 8293), un rubinetto portamanometro ed una serie di raccordi da 1/4" NPT-M a 1/8" gas-F. Comprensivo inoltre di rubinetto portamanometro di ns produzione.

PUMP test is contained in a strong metal case along with a manometer, a glycerine vacuum gauge (accuracy K2 1.6% - UNI 8293), a manometer holding cock and a number of fittings from 1/4" NPT-M to 1/8" gas-F. Also including a manometer holding valve from our production range.



GAS FILTERS



AUTOMATIC GAS VALVES



GAS GOVERNORS



GAS REGULATORS WITH SLAM SHUT VALVE INTEGRATED

gas train equipment

gas safety at its best



RELIEF VALVES



PRESSURE GAUGES



GAS SOLENOID VALVES MANUAL RESET



BALL VALVES



Our policy of continuous product improvement, the features and data shown are subject to change without notice. The images of the products and accessories are only indicative. Graphic colors of the products may differ from reality.

9584025



FAG

Via E. Fermi, 98 | 25064 Gussago (BS) | ITALY
Tel. +39 030 3730218
Fax +39 030 3730228
E-mail: info@fagonline.com
www.fagonline.com



GECA S.r.l.

Via E. Fermi, 98 | 25064 Gussago (BS) | ITALY
Tel. +39 030 3730218
Fax +39 030 3730228
E-mail: info@gecasrl.it
www.gecasrl.it



Tecnocontrol S.r.l.

Via Miglioli, 47 | 20090 Segrate (MI) | ITALY
Tel. +39 02 26922890
Fax +39 02 2133734
E-mail: info@tecnocontrol.it
www.tecnocontrol.it



CPF Industriale S.r.l.

Via E. Fermi, 98 | 25064 Gussago (BS) | ITALY
Tel. +39 030 310461
Fax +39 030 310465
E-mail: info@cpfindustriale.it
www.cpfindustriale.it